



Slim and robust

The lifting column **SM** consists of two colourless anodised aluminium profiles, guided by plastic gliders. Each lifting column has an **internal** motor that drives a threaded spindle. The cable length is 1.8 metres.

The T-slots on 3 sides (width 8 mm) of the lifting column allow the addition of crossbars, shelves, attachments and mountings.

Up to 3 (4) lifting columns can be connected to one control unit. When a maximum of 4 control units are synchronised, up to 12 lifting columns can be operated synchronously.

The choice of system load defines the type of control unit (see system combination).

Application

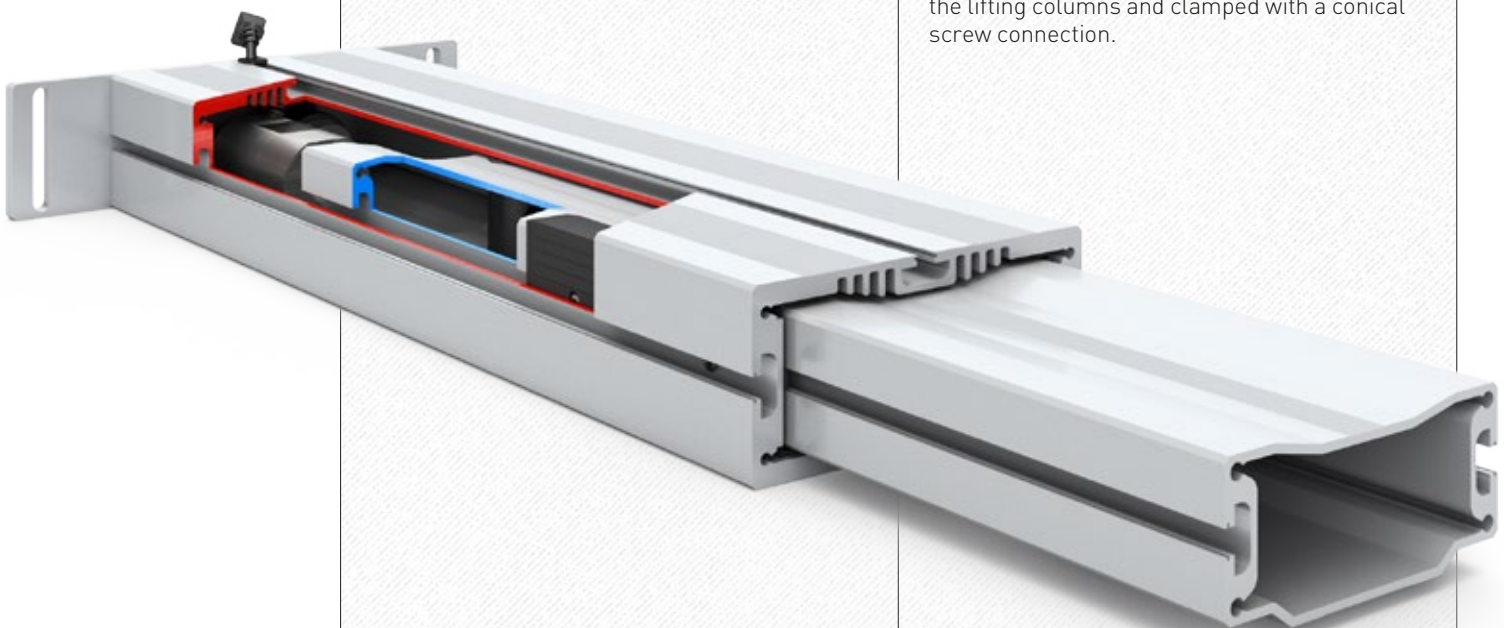
The **SM** is available as a lifting system (lifting column and control unit) or as a complete base frame.

The system **SM** can be used for assembly tables, in assembly units, for office desks, height-adjustable beds and bathtubs and for general use in furniture construction and mechanical engineering.

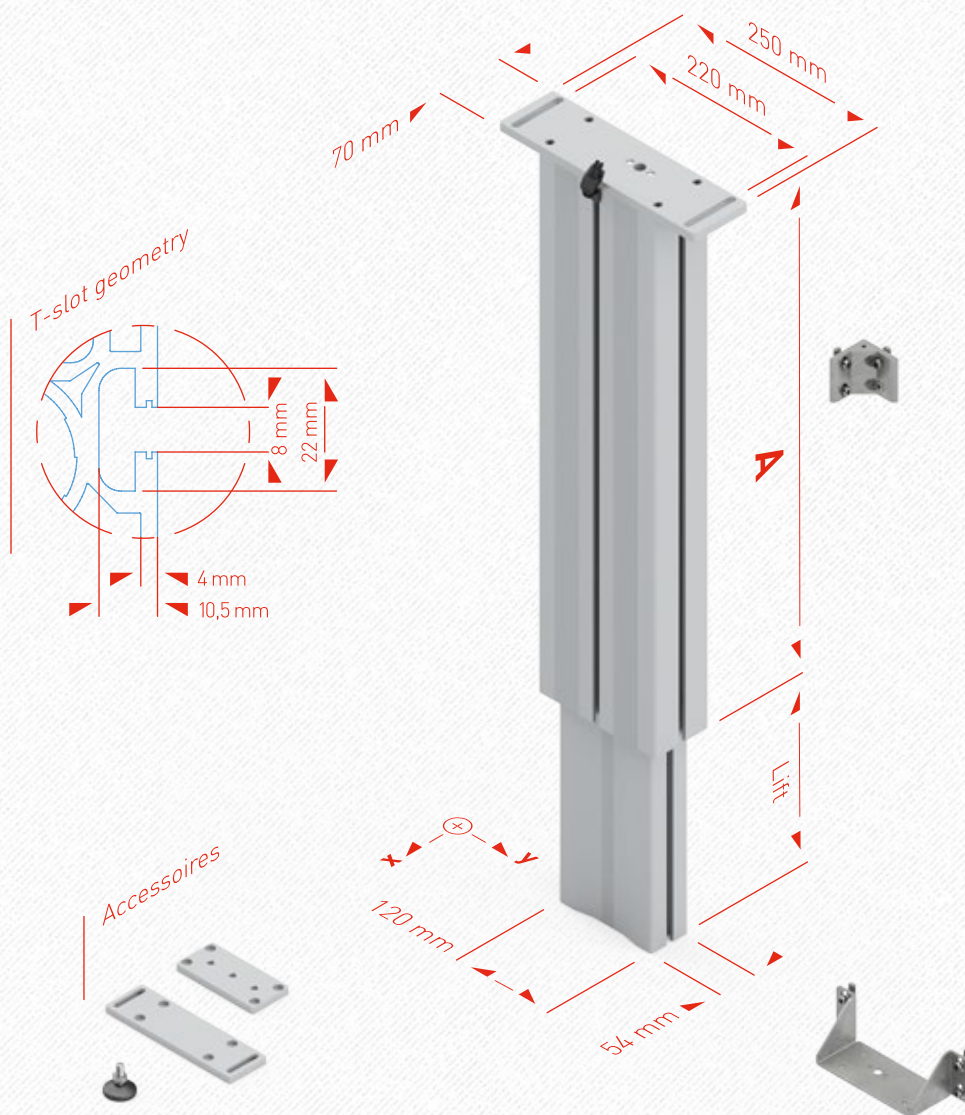
The following accessories are available:

- crossbars in various lengths
- telescopic crossbar
- table feet with adjustable rubber feet
- base plates
- option: ESD (electrostatic discharge) version

The crossbars are supplied with pre-fitted universal connectors. These can be pushed into the lifting columns and clamped with a conical screw connection.



Dimensions **SM**



Detailed CAD drawings in various formats can be found at www.ergoswiss.com

Technical data

- Versatile lifting column with **internal** drive unit
- System loads:
 - 1 **SM**: 2000 N
 - 2 **SM**: 4000 N (6000 N)
 - 3 **SM**: 4000 N (6000 N)
 - 4 **SM**: (10000 N)
- Synchronous control of 1 to 4 lifting columns
- Lifting speed
12 mm/s (9 mm/s)
- Lifting distance
300 or 400 mm
- Mb_x stat. = 350 Nm*
Mb_y stat. = 900 Nm*
- Mb_x dyn. = 150 Nm**
Mb_y dyn. = 450 Nm**

Colour: colourless anodised aluminium

- * Mb stat. = max. permissible bending moment at a standstill
- ** Mb dyn. = max. permissible bending moment during lifting movement

Lifting column SM		
	A	Lift
SM 1430 (1330)	530 mm	300 mm
SM 1440 (1340)	630 mm	400 mm