

### Elegant and robust

The table leg **TU** is ideal for assembly work stations with high load and stability requirements.

Crossbars are fitted on the welded-on mounting plate. The crossbars are supplied with all the necessary screws.

The height is adjusted by means of a hydraulic pump operated by a hand crank or an electric drive unit.

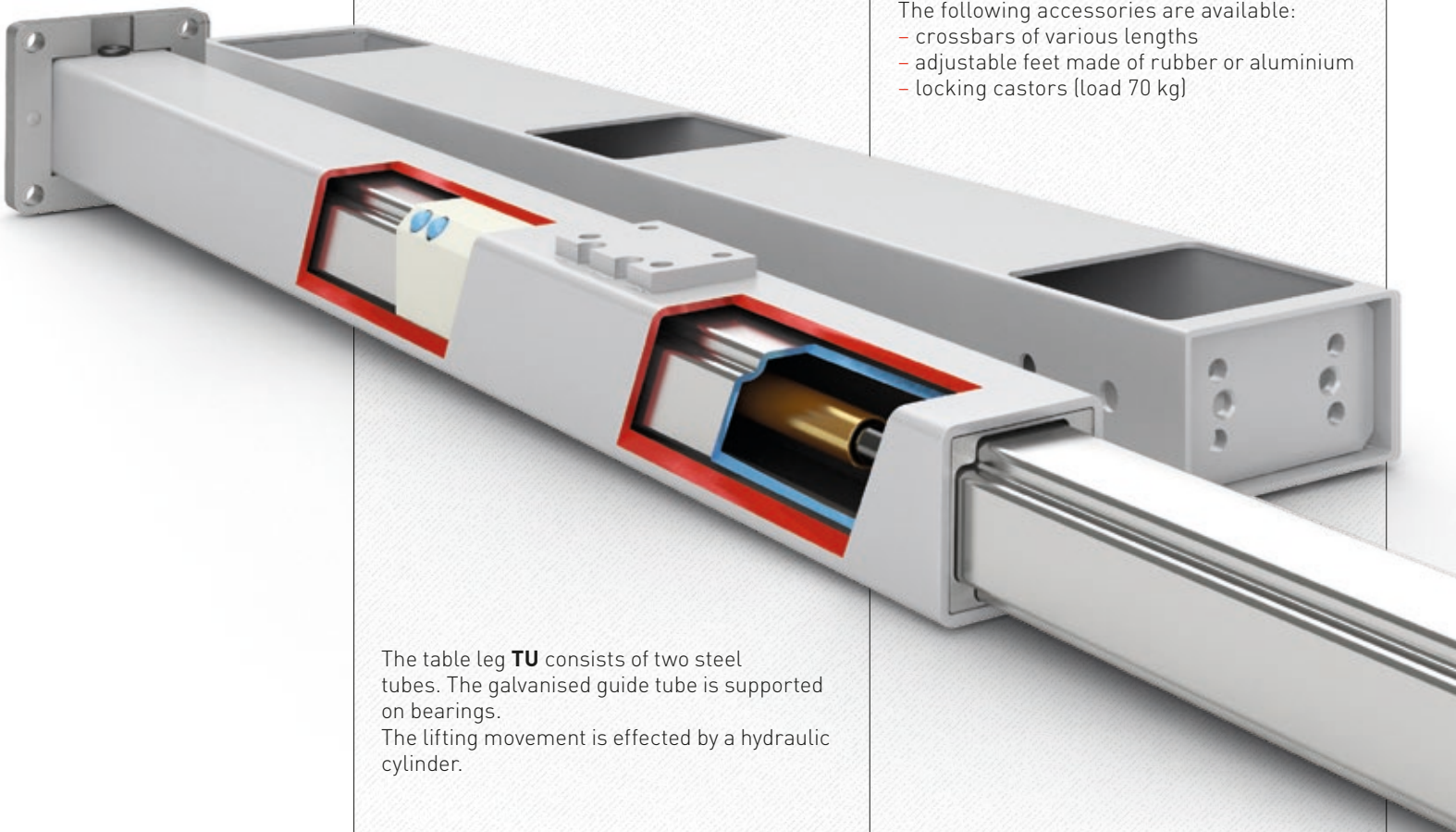
The table leg is also available with hose rupture protection.

The 4-metre-long hydraulic hose is already mounted on the table leg and vented to ensure easy assembly.

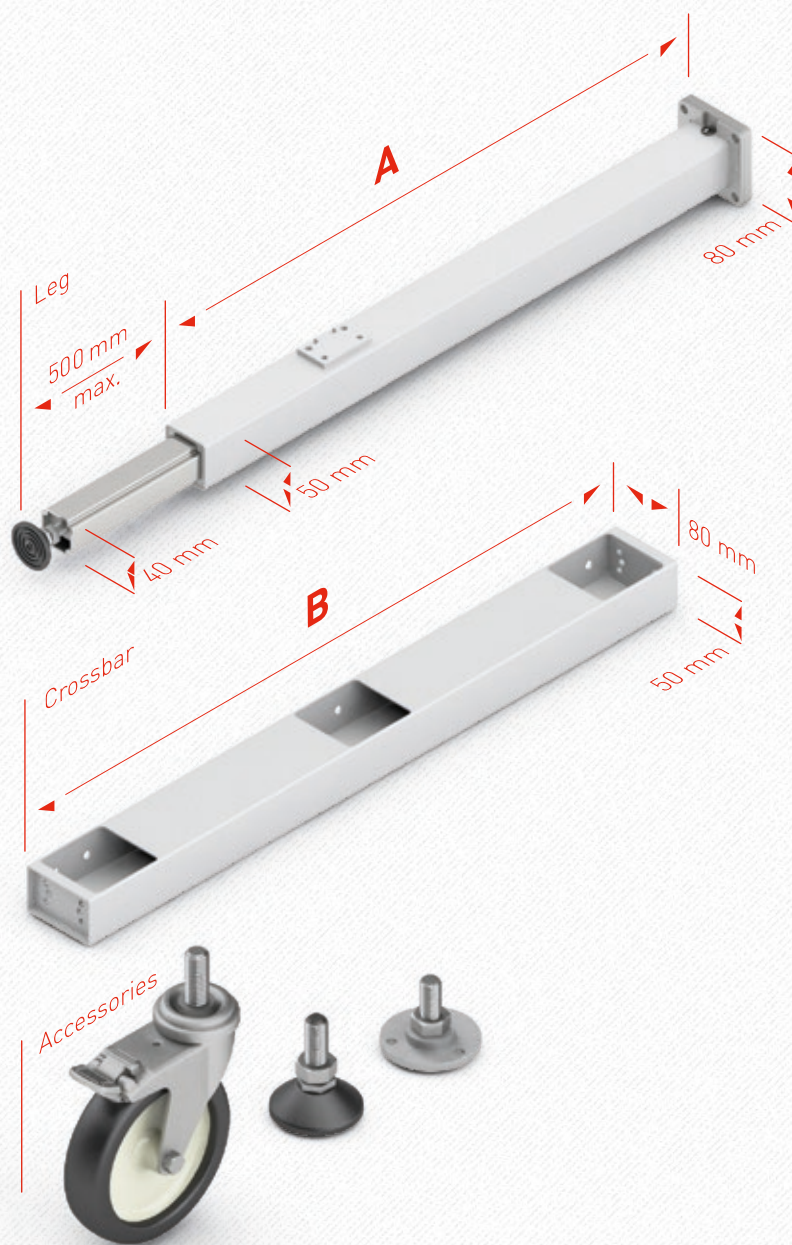
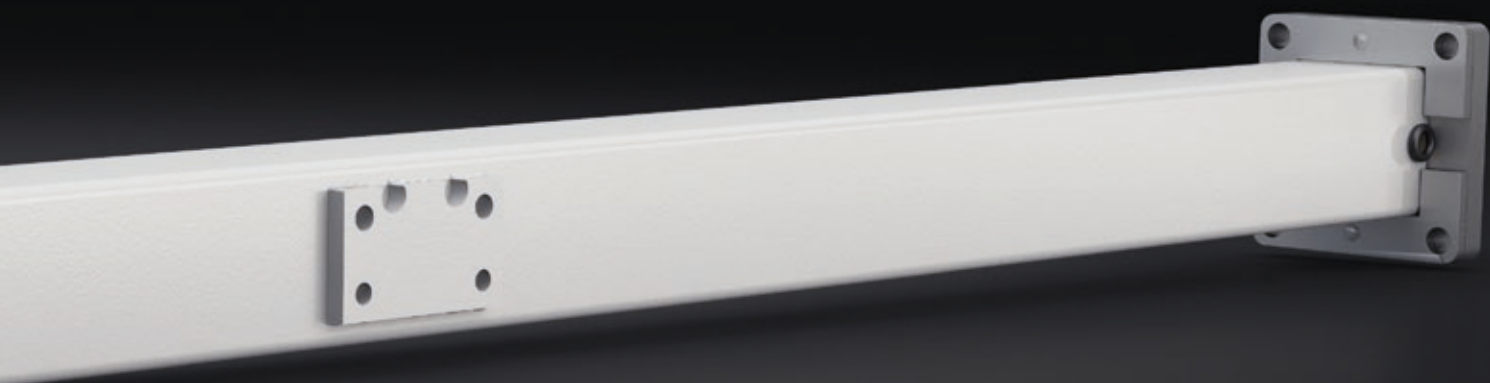
The following accessories are available:

- crossbars of various lengths
- adjustable feet made of rubber or aluminium
- locking castors (load 70 kg)

The table leg **TU** consists of two steel tubes. The galvanised guide tube is supported on bearings. The lifting movement is effected by a hydraulic cylinder.



# Dimensions of **TU**



## Technical data

- Robust leg with ball track
- Max. load per leg:  
1500 N (**TU 1450**)  
2500 N (**TU 1840**)
- The system load depends on the pump used
- Lifting distance max. 500 mm
- Max. static bending moment  $M_b = 1500 \text{ Nm}$
- Max. dynamic bending moment  $M_{bdyn} = 150 \text{ Nm}$
- The leg is supplied with a 4-m hydraulic hose pre-fitted as standard
- Colour : RAL 9006 white aluminium

### Table leg **TU**

	<b>A</b>	<b>Lift</b>
<b>TU 1450</b>	710 mm	500
<b>TU 1840</b>	717 mm	400

### Crossbar **TU**

	<b>B</b>
<b>TU 550</b>	550 mm
<b>TU 750</b>	750 mm
<b>TU 950</b>	950 mm
<b>TU 1150</b>	1150 mm
<b>TU 1550</b>	1550 mm