

Verbindungswinkel, 4-loch, 2 Nuten

Connection Angle, 4 Bore Holes, 2 Slot Version

Beschreibung zur rechtwinkligen Verbindung von zwei Aluminiumprofilen

Material Aluminium

Oberfläche eloxiert

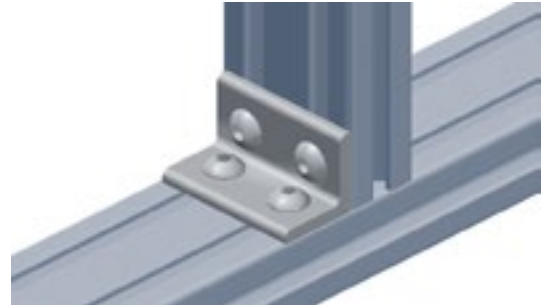
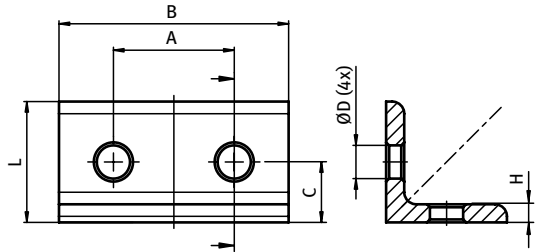
Liefereinheit 10 Stück

Description To connect two aluminum profiles at right angles

Material Aluminum

Surface Anodized

Pack Quantity 10 pieces



Verbindungswinkel Connection Angle	L [mm]	B [mm]	H [mm]	A [mm]	C [mm]	ØD [mm]	Gewicht [g] Weight [mm]	Teil-Nr. Part #
40/20	20.0	38.0	3.0	20.0	10.0	5.5	12.0	093WD4020
50/25	25.0	48.0	4.0	25.2	12.5	7.0	23.0	093WD5025
60/30	30.0	57.0	5.0	30.0	15.0	7.0	40.0	093WD6030
76/38	38.0	72.0	6.0	38.1	19.0	9.0	77.0	093WD7638
80/40	40.0	76.0	6.0	40.0	20.0	9.0	86.0	093WD8040
90/45	45.0	86.0	6.0	45.0	22.5	9.0	112.0	093WD9045