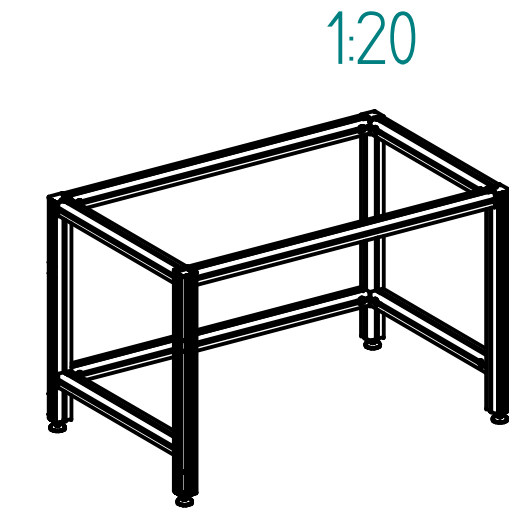
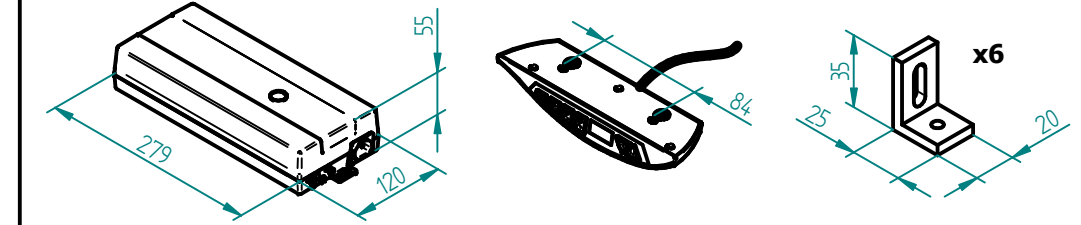


| Technische Daten / technical specifications | |
|---|--|
| max. Traglast pro Hubsäule / max. load per lifting column | 1'250 N |
| max. Systembelastung / max. system load | 5'000 N |
| max. statische Zugbelastung / max. static tensile load | 1'250 N |
| max. Hub / max. stroke | 300 mm |
| Hubgeschwindigkeit / lifting speed | 9 mm/s |
| Aluminiumprofile / aluminium profiles | farblos eloxiert / colorless anodized |
| Standrohre / standpipes | Stahl / steel |
| Führungsart / type of guidance | Gleitführung (Kunststoff) / slide (plastics) |

- beigelegt / enclosed:**
- Steuerung SCT iSMPS / control box SCT iSMPS
 - XX = länderspez. Netzkabel / XX = country specific power cable
 - 12 = Kabelfernbedienung SCT Memory / 12 = cable remote control SCT Memory
 - Befestigungskomponenten für Tischplatte / mounting parts for table plate



| Name | A | B | C | D | XX = EU | XX = CH | XX = US |
|----------------------|------|------|------|-------------|-----------|-----------|-----------|
| SQ-4 1330 595 XX 12 | 550 | 595 | 640 | 700 - 900 | 907.51071 | 907.51171 | 907.51271 |
| SQ-4 1330 795 XX 12 | 750 | 795 | 840 | 900 - 1100 | 907.51072 | 907.51172 | 907.51272 |
| SQ-4 1330 995 XX 12 | 950 | 995 | 1040 | 1100 - 1400 | 907.51073 | 907.51173 | 907.51273 |
| SQ-4 1330 1195 XX 12 | 1150 | 1195 | 1240 | 1300 - 1700 | 907.51074 | 907.51174 | 907.51274 |
| SQ-4 1330 1595 XX 12 | 1550 | 1595 | 1640 | 1700 - 2100 | 907.51075 | 907.51175 | 907.51275 |

| Index | Datum / Date | Name | Änderungsmittelung / notification of change |
|-------------------------------|--------------|--|---|
| GEZEICHNET / DRAWN | 05.02.2020 | tiho | separ. Stückliste mit gleicher Nr. / sep. list of parts with same no. |
| GEPRÜFT / CHECKED | 05.02.2020 | anhe | MAßSTAB / SCALE 1:10 |
| ERGO SWISS Dynamic Systems | | ZEICHNUNGSNUMMER / DRAWING NUMBER a-907.113 | ARTIKELNUMMER / ASSEMBLY NUMBER 907.51X7X |
| | | INDEX 00 | FORMAT A3 |