



Robust and versatile

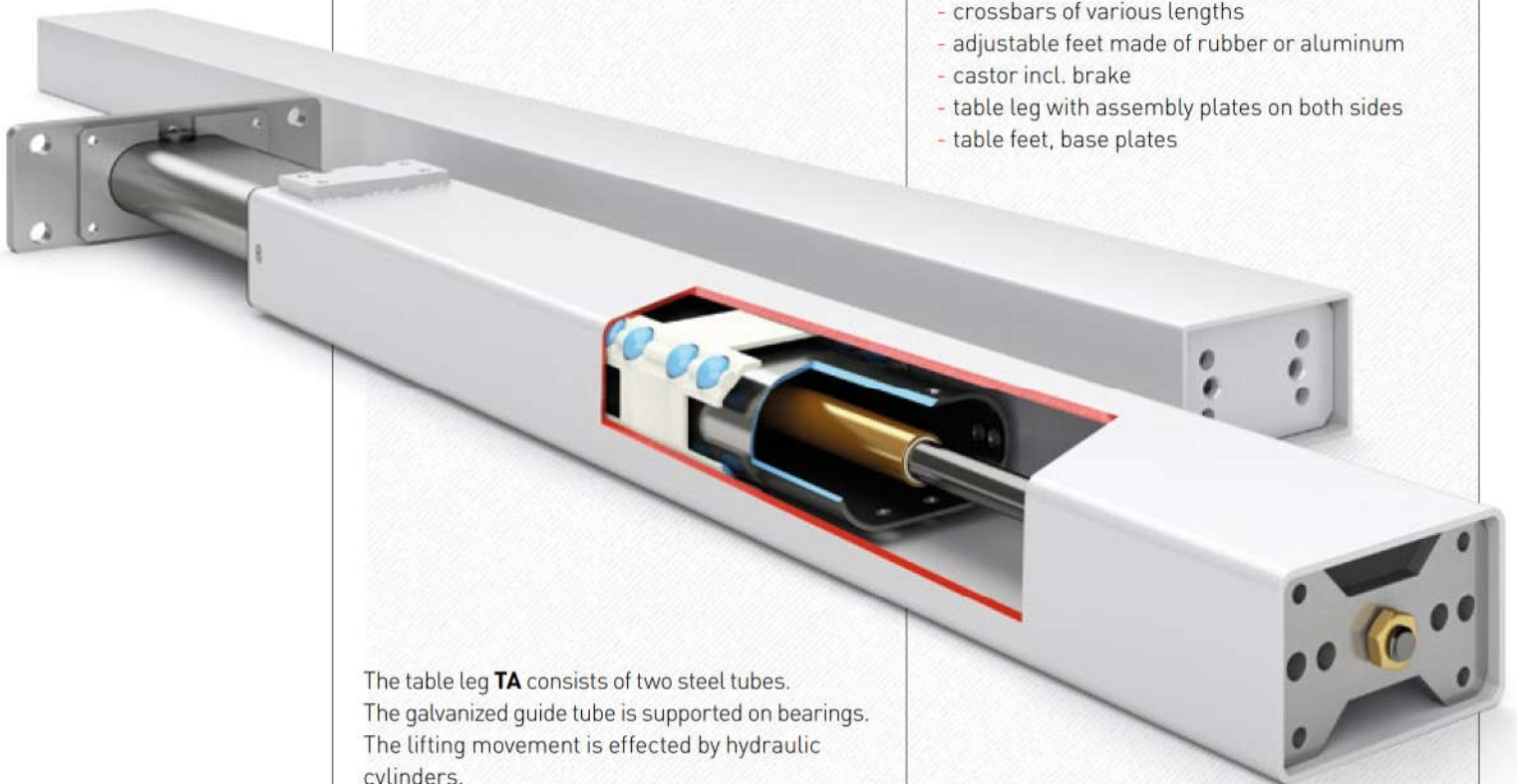
The table leg **TA** is ideal for assembly work stations, workbenches, office desks, built-in kitchens or in combination with aluminum profile systems with high load and stability requirements.

Crossbars or mounting brackets are fitted on the welded-on mounting plate. The table plate supports, crossbars and mounting brackets are supplied with all the necessary screws.

The height is adjusted by means of a hydraulic pump operated by a hand crank or an electric drive unit.

The 13ft 1" (4 m) long hydraulic hose is already mounted on the table leg and vented to ensure easy assembly.

- The following accessories are available:
- table plate supports for mounting the table top
 - crossbars of various lengths
 - adjustable feet made of rubber or aluminum
 - castor incl. brake
 - table leg with assembly plates on both sides
 - table feet, base plates



The table leg **TA** consists of two steel tubes. The galvanized guide tube is supported on bearings. The lifting movement is effected by hydraulic cylinders.

Dimensions of TA



Technical data

- Robust leg with ball track
- Please also note the maximum load of the entire system
- Max. load per leg:
330 lbs (150 kg) (TA 14)
550 lbs (250 kg) (TA 18)
- Lifting distance max.
120" (500 mm)
- Max. static bending moment
 $M_b = 295 \text{ lbf ft}$ (400 Nm)
- Max. dynamic bending moment
 $M_{bdyn} = 74 \text{ lbf ft}$ (100 Nm)
- The leg is supplied with a 13ft 1" (4 m) long hydraulic hose pre-fitted as standard
- Colour: RAL 9006 white aluminum
- Other models on request

Table leg TA

| | A | Lift |
|---------|--------------|--------------|
| TA 1430 | 16" (415 mm) | 12" (300 mm) |
| TA 1440 | 20" (515 mm) | 16" (400 mm) |
| TA 1450 | 25" (640 mm) | 20" (500 mm) |

Crossbar TA

| | B |
|---------|---------------|
| TA 550 | 22" (550 mm) |
| TA 750 | 30" (750 mm) |
| TA 950 | 37" (950 mm) |
| TA 1150 | 45" (1150 mm) |
| TA 1550 | 61" (1550 mm) |

Detailed CAD drawings in various formats can be found at www.ergoswiss.us



The **TA** base frame is a modular system and is therefore very versatile and flexible in its application.

The maximum load is 771 lb, 1323 lbs or 1764 lbs (350 kg, 600 kg or 800 kg) depending on the system combination. Thanks to the large lifting distance of maximum 20" (500 mm), the tables can also be used in a standing position.

TA-2: A two-leg base frame for sitting and standing work stations in the office or at the assembly station. Consisting of two table legs, two table plate supports, two table feet as well as a crossbar to stabilize the base frame. Various table lengths can be realized using the crossbars from the standard programme.

TA-3: A three-leg base frame for corner combinations in the office and in assembly areas. Here, the two-leg system is extended with an additional crossbar and a third leg.

TA-4: A four-leg base frame for maximum stability as required for workbenches, joiner's benches and assembly work stations. The longitudinal crossbar can be placed at three different depth positions.

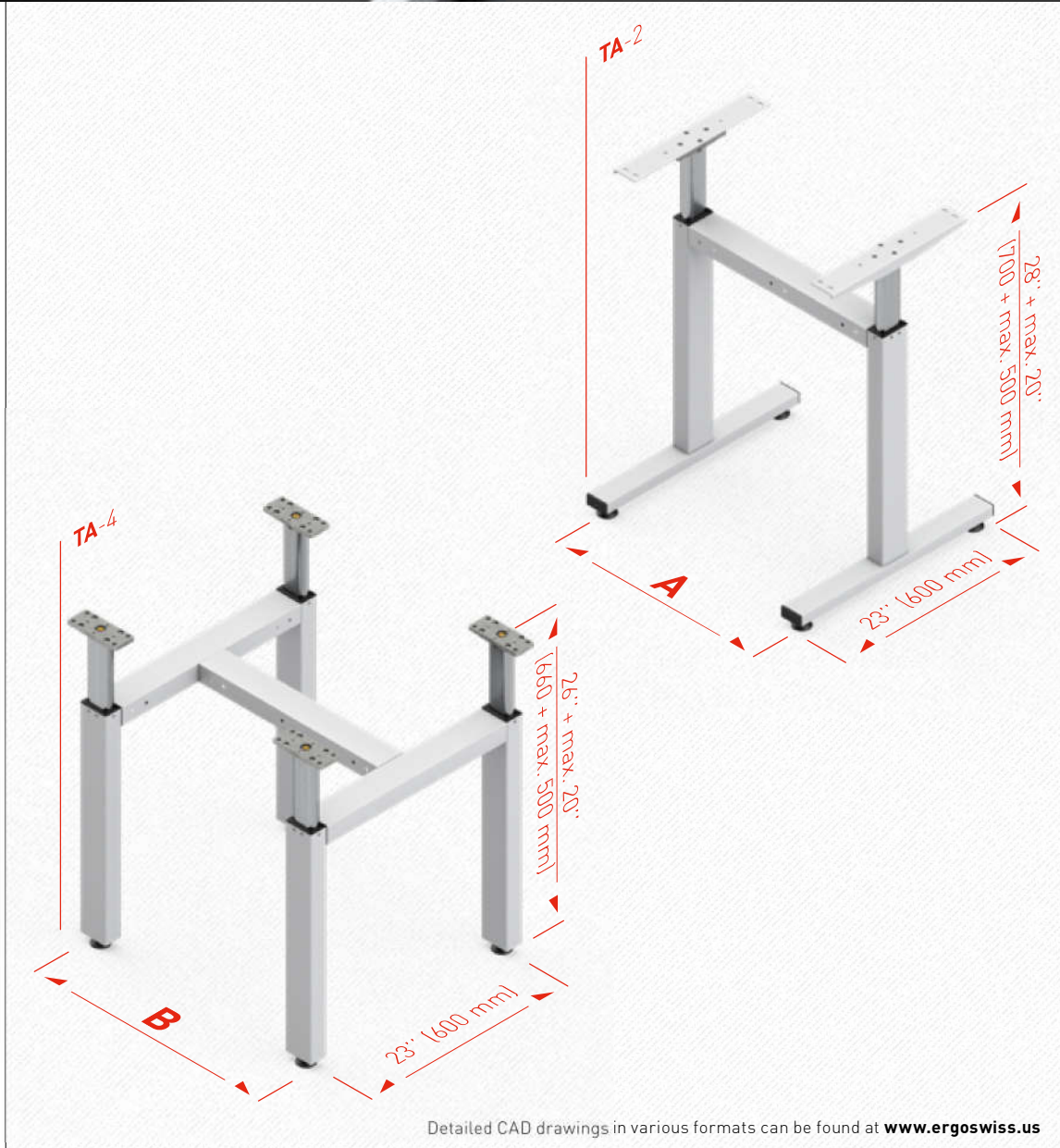
Various screws to mount the table top are included with your order. The base frame is delivered unassembled.

Please note that a pump with hand crank or electric drive unit is also required.

Assembly and operating instructions are included with every delivery. They can also be downloaded from www.ergoswiss.us



Dimensions of base frame **TA**



Base frame **TA-2**

| | A |
|------------------|---------------|
| TA-2 600 | 24" (600 mm) |
| TA-2 1000 | 39" (1000 mm) |
| TA-2 1200 | 47" (1200 mm) |
| TA-2 1600 | 63" (1600 mm) |

Base frame **TA-4**

| | B |
|------------------|---------------|
| TA-4 1030 | 41" (1030 mm) |
| TA-4 1230 | 48" (1230 mm) |
| TA-4 1630 | 64" (1630 mm) |

Detailed CAD drawings in various formats can be found at www.ergoswiss.us