



Elegant and versatile

The table leg **TT** can be used for assembly tables, in assembly units, for office desks, height-adjustable beds and baths and for general use in furniture construction and mechanical engineering.

The T-slots on 3 sides (width 0.3" or 8 mm) allow the addition of crossbars, shelves and other attachments and mountings along the entire length of the leg. Corner combinations and interlinked work stations can also be designed in combination with the **PB** and **PF** pump.

The table leg **TT** consists of two extruded aluminum profiles with a plain anodized finish, guided by plastic gliders. The lifting movement is effected by hydraulic cylinders.

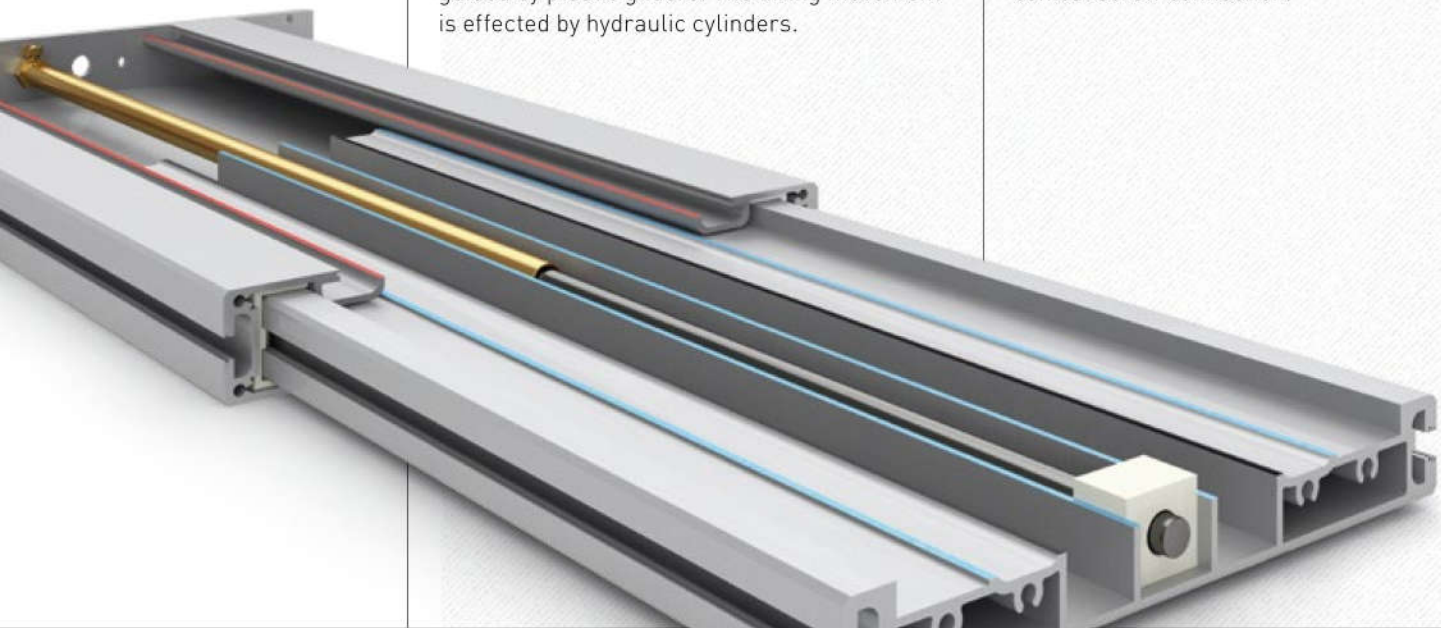
The height is adjusted by means of a hydraulic pump operated by a hand crank or an electric drive unit.

The 9ft 10" (3m) -long high-pressure hose is already mounted on the table leg and vented to ensure easy assembly.

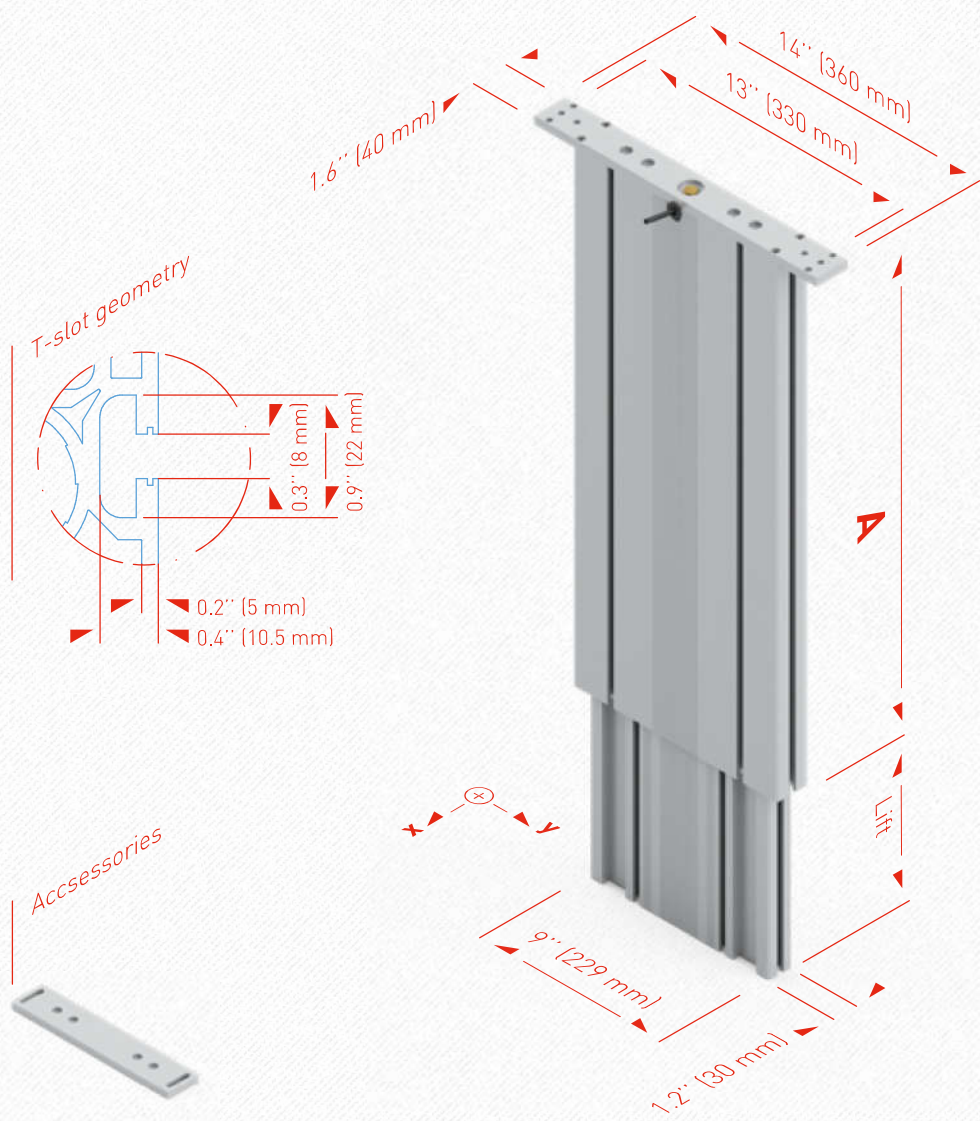
The following accessories are available:

- crossbars of various lengths
- telescopic crossbar
- table feet with adjustable rubber feet
- base plates
- option: ESD version

The crossbars are supplied with pre-fitted universal connectors. These can be pushed into the table legs and fastened in place with a conical screw connection.



Dimensions of **TT**



Technical data

- Table leg for flexible use with sliding guide
 - Max. load per leg:
330 lbs (150 kg) (**TT 14**)
550 lbs (250 kg) (**TT 18**)
 - Please also note the maximum load of the entire system
 - Synchronous control of up to 10 table legs
 - Lifting distance max.
12" or 16" (300 or 400 mm)
 - The lifting speed depends on the pump used
 - M_{bx} stat. =
332 lbf ft (450 Nm)*
 M_{by} stat. =
738 lbf ft (1000 Nm)**
 - M_{bx} dyn. =
111 lbf ft (150 Nm)*
 M_{by} dyn. =
332 lbf ft (450 Nm)**
 - Plain anodized aluminum
- * M_{b} stat. = max. permissible bending moment at rest
 ** M_{b} dyn. = max. permissible bending moment during lifting movement

Table leg TT	A	Lift
TT 1430	21" (530 mm)	12" (300 mm)
TT 1440	25" (630 mm)	16" (400 mm)
TT 1830	21" (537 mm)	12" (300 mm)
TT 1840	25" (637 mm)	16" (400 mm)



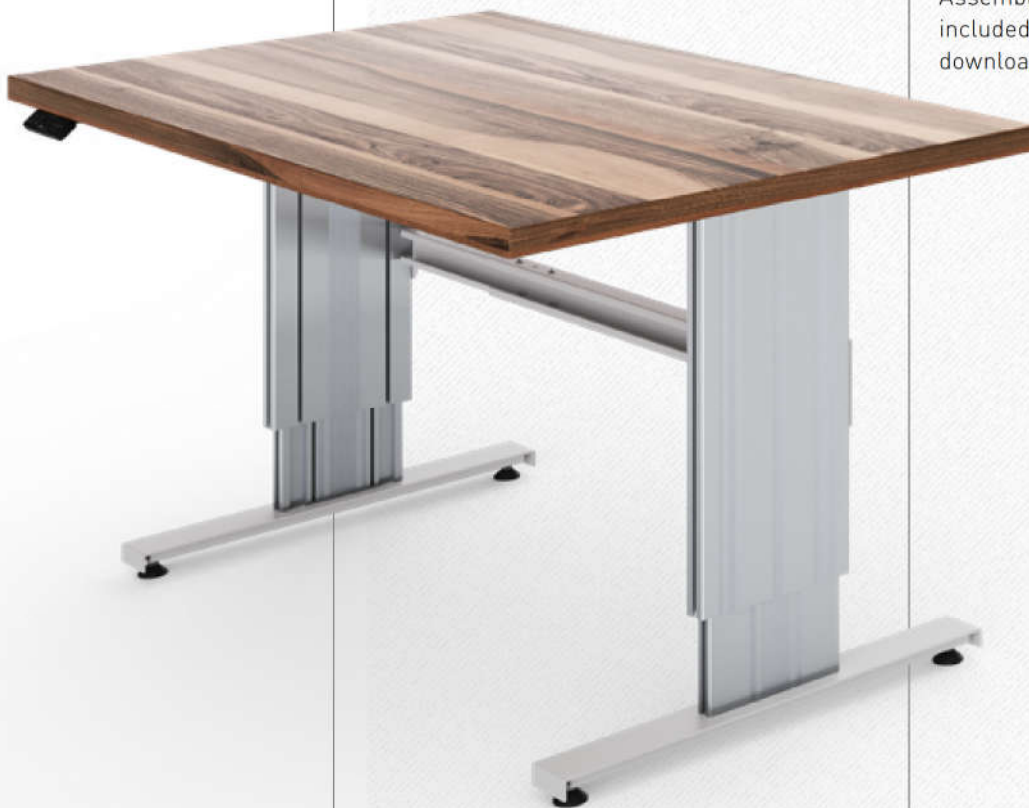
Our base frame **TT** is designed for the fast and flexible assembly of tables.

The maximum load is 661 lbs to 1100 lbs (300 kg to 500 kg depending on the pump version). The max. height adjustment range is 16" (400 mm).

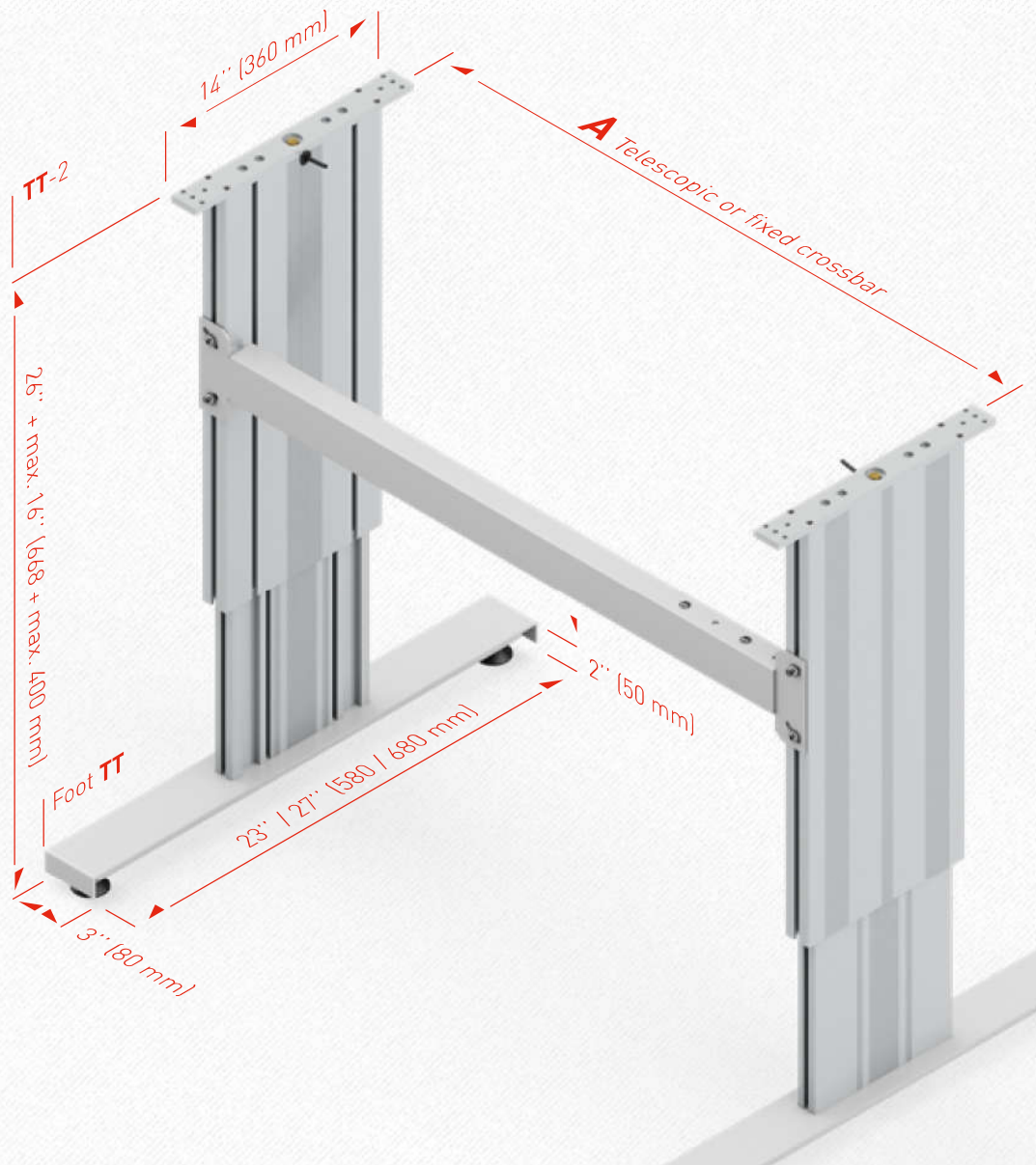
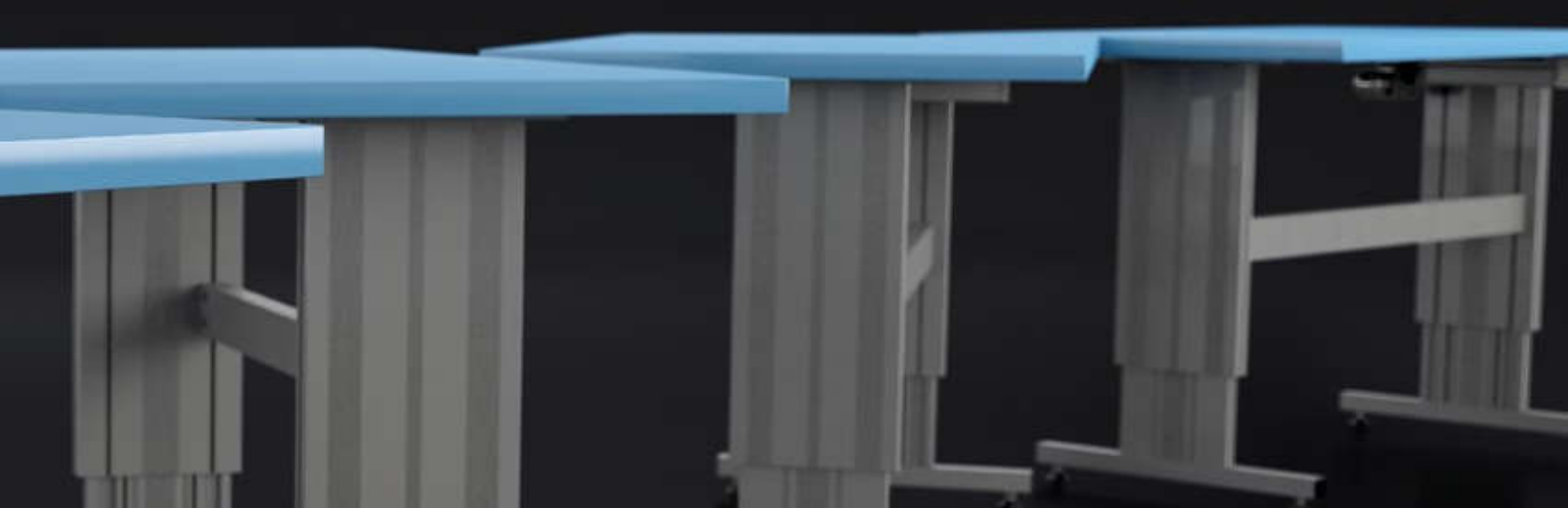
The **TT-2** base frame consists of 2 table legs, a crossbar and 2 table feet. The crossbars slide easily into the grooves of the table legs and are fastened in place with an Allen key. Various screws to mount the table top are included with your order. The base frame is delivered unassembled.

Please note that a pump with hand crank or electric drive unit is also required.

Assembly and operating instructions are included with every delivery. They can also be downloaded from **www.ergoswiss.us**.



Dimensions of base frame **TT**



Base frame **TT-2**

	A
TT-2	37" - 62.6"

The telescopic crossbar is adjustable in 2" (50 mm) increments.

The telescopic crossbar can be fitted directly on the outer slot using the slot nuts supplied.

Smaller dimensions are available on request.

Detailed CAD drawings in various formats can be found at www.ergoswiss.us.