



Slim and robust

The table leg **TM** belongs to the same design family as the table legs TL, SL and SM.

Its plain anodized aluminum housings come with a simple surface design to ensure an elegant and stylish finish in all product combinations.

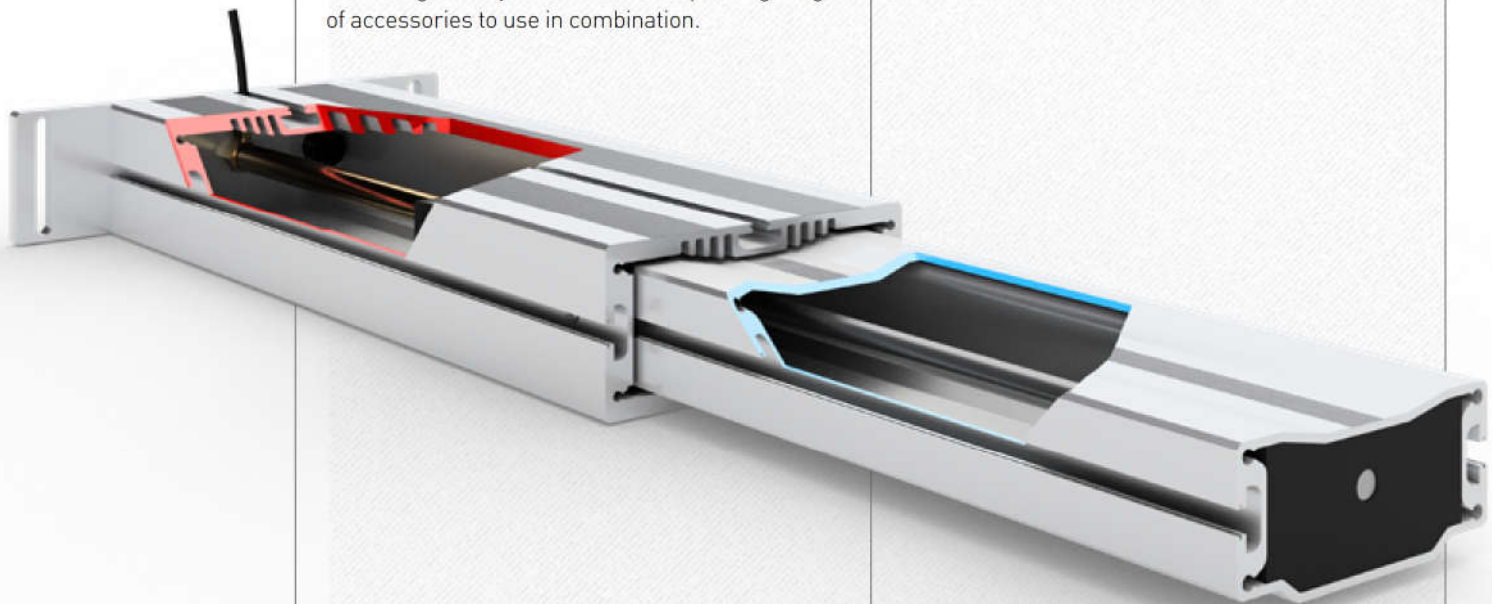
The T-slots on 3 sides (width 0.3" or 8 mm) allow the addition of crossbars, shelves and other attachments along the entire length of the leg. The table legs **TM** and TL are the same length and can therefore easily be combined with one another.

This design family also has a corresponding range of accessories to use in combination.

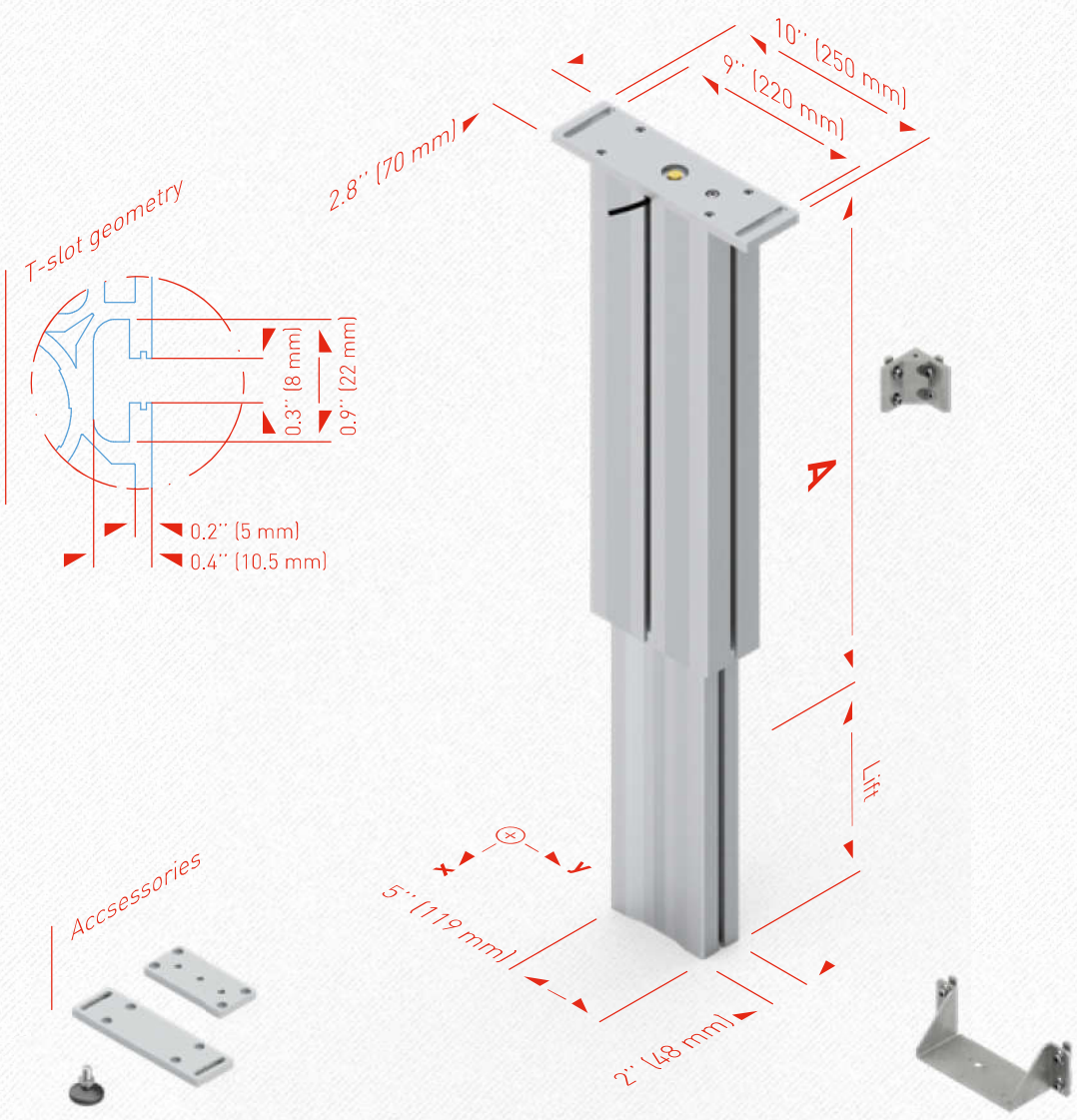
Application

The table leg **TM** tends to be used when a crank drive or several table legs are required. Up to 10 table legs can be activated at the same time. The hydraulic pump can be operated either by using a hand crank or electronically via cable remote control.

For base frames with 2 legs, we recommend table leg TL or SL. The lifting column SM is equipped for base frames with 4 legs. For further information on the lifting columns SM and SL, please see our Spindle Lifting Systems catalogue.



Dimensions of **TM**



Technical data

- Table leg for flexible use with sliding guide
- Max. load per leg:
 - 330 lbs (150 kg) (**TM 14**)
 - 550 lbs (250 kg) (**TM 18**)
- Synchronous operation of up to 10 legs possible per pump
- Lifting distance 12" or 16" (300 or 400 mm)
- The lifting speed depends on the pump used
- **Mbx** stat. = 258 lbf ft (350 Nm)*
Mby stat. = 664 lbf ft (900 Nm)**
- **Mbx** dyn. = 111 lbf ft (150 Nm)*
Mby dyn. = 332 lbf ft (450 Nm)**
- Colour: plain anodised aluminium

* Mb stat. = max. permissible bending moment at rest

** Mb dyn. = max. permissible bending moment during lifting movement

Table leg TM		
	A	Lift
TM 1430	21" (530 mm)	12" (300 mm)
TM 1440	25" (630 mm)	16" (400 mm)

Detailed CAD drawings in various formats can be found at www.ergoswiss.us



Combinable in a variety of ways



The base frame **TM-2** consists of two table legs **TM**, each of which is mounted on a table foot with adjustable feet and connected by a crossbar. Each table leg **TM** is equipped with a table plate support which is used to attach the table top.

- Ideal for office desks or light assembly tables

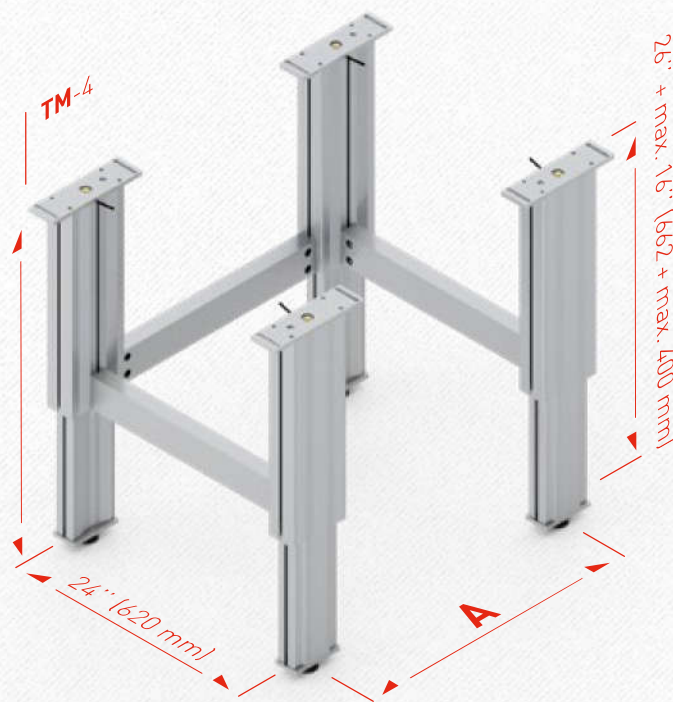
The base frame **TM-4** consists of four table legs **TM**, arranged in a rectangle and connected by crossbars. The table legs are equipped with a foot plate including adjustable rubber feet. The table top is attached directly to the adapter plates of the table legs **TM**.

- Ideal for stable workbenches

Assembly and operating instructions are included with every delivery. They can also be downloaded from www.ergoswiss.us.



Dimensions of base frame **TM**



Base frame **TM-4**

	A
TM-4	28" (700 mm)
TM-4	43" (1000 mm)
TM-4	51" (1300 mm)
TM-4	67" (1700 mm)

The telescopic crossbar is adjustable in 2" (50 mm) increments.

The telescopic crossbar can be fitted directly on the outer slot using the slot nuts supplied.

Smaller dimensions are available on request.

Detailed CAD drawings in various formats can be found at www.ergoswiss.us