



### Elegant and powerful

The table leg **TL** belongs to the same design family as the table legs **TM**, **SL** and **SM**.

Its plain anodized aluminum housings come with a simple surface design to ensure an elegant and stylish finish in all product combinations.

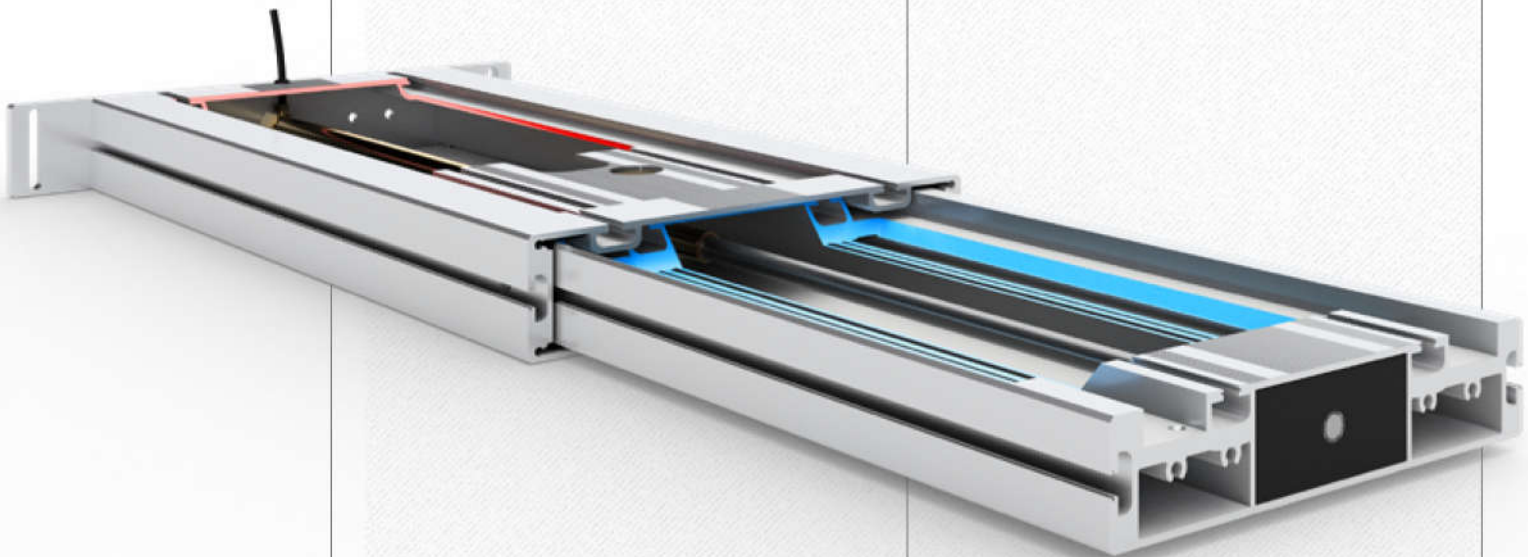
The T-slots on 3 sides (0.3" or 8 mm) allow the addition of crossbars, shelves and other attachments along the entire length of the leg. The table legs **TL** and **TM** are the same length and can therefore easily be combined with one another.

This design family also has a corresponding range of accessories to use in combination.

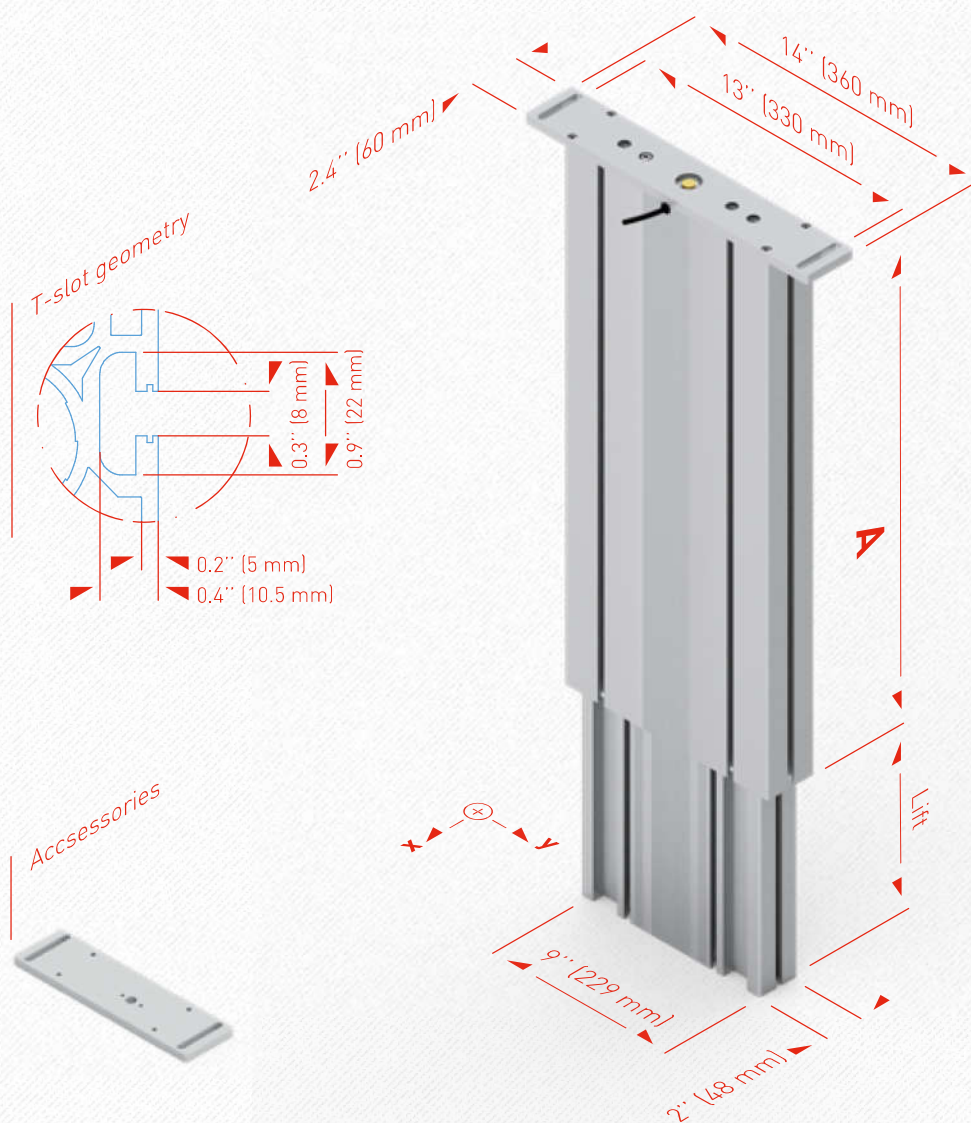
### Application

The table leg **TL** is used for 2-leg base frames, while the table leg **TM** tends to be used when a crank drive or several table legs are required. Up to 10 table legs can be driven up and down at the same time. The hydraulic pump can be operated either by using a hand crank or electronically via cable remote control.

The lifting columns **SL** and **SM** are recommended for 2 and 4-leg base frames as an alternative to the table leg **TL/TM**. For further information on the lifting columns **SL** and **SM**, please see our Spindle Lifting Systems catalogue.



# Dimensions of TL



Detailed CAD drawings in various formats can be found at [www.ergoswiss.us](http://www.ergoswiss.us)

## Technical data

- Table leg for flexible use with sliding guide
- Max. load per leg:
  - 330 lbs (150 kg) (TL 14)
  - 550 lbs (250 kg) (TL 18)
- Synchronous operation of up to 10 legs possible per pump
- The lifting speed depends on the pump used
- Lifting distance 12" or 16" (300 or 400 mm)
- $M_{bx}$  stat. = 295 lbf ft (400 Nm)\*
- $M_{by}$  stat. = 885 lbf ft (1200 Nm)\*\*
- $M_{bx}$  dyn. = 148 lbf ft (200 Nm)\*
- $M_{by}$  dyn. = 406 lbf ft (550 Nm)\*\*
- Colour: plain anodized aluminum

\*  $M_{b}$  stat. = max. permissible bending moment at rest

\*\*  $M_{b}$  dyn. = max. permissible bending moment during lifting movement

Table leg TL		
	A	Lift
TL 1430	21" (530 mm)	12" (300 mm)
TL 1440	25" (630 mm)	16" (400 mm)



## Flexible assembly

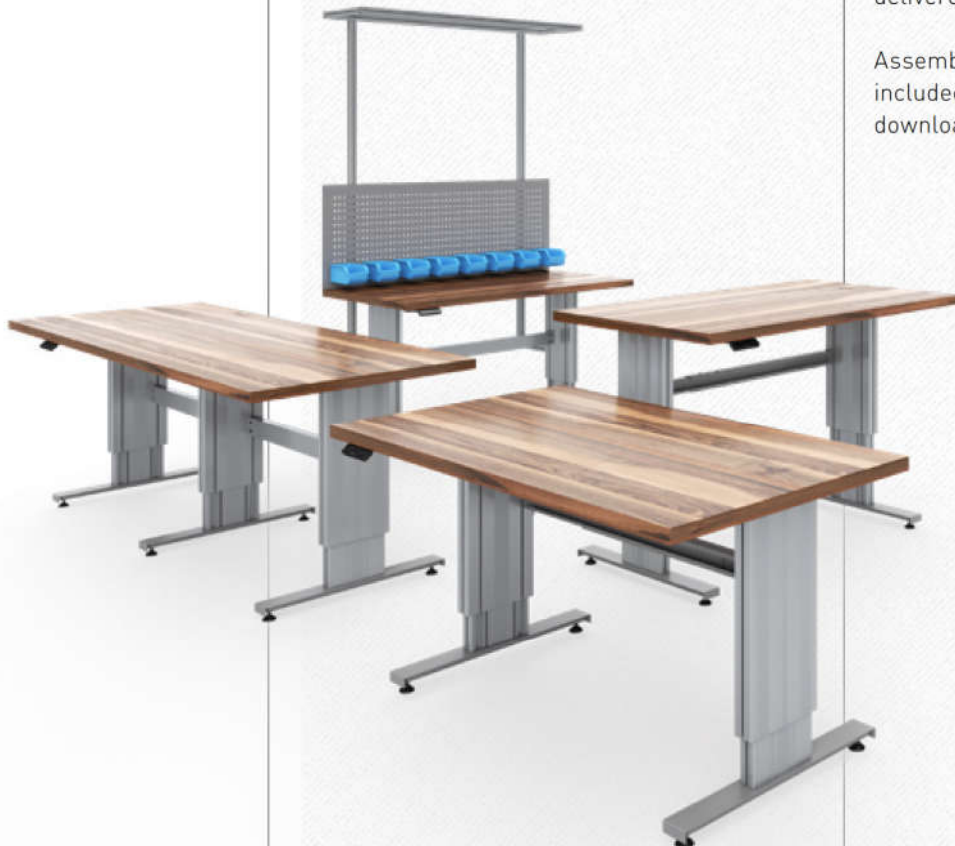
Our base frame **TL** is designed for the fast and flexible assembly of tables.

The maximum load is 661 lbs to 1764 lbs (300 kg to 800 kg depending on the system combination). Thanks to the large lifting distance of maximum 16" (400 mm), the tables can also be used in a standing position.

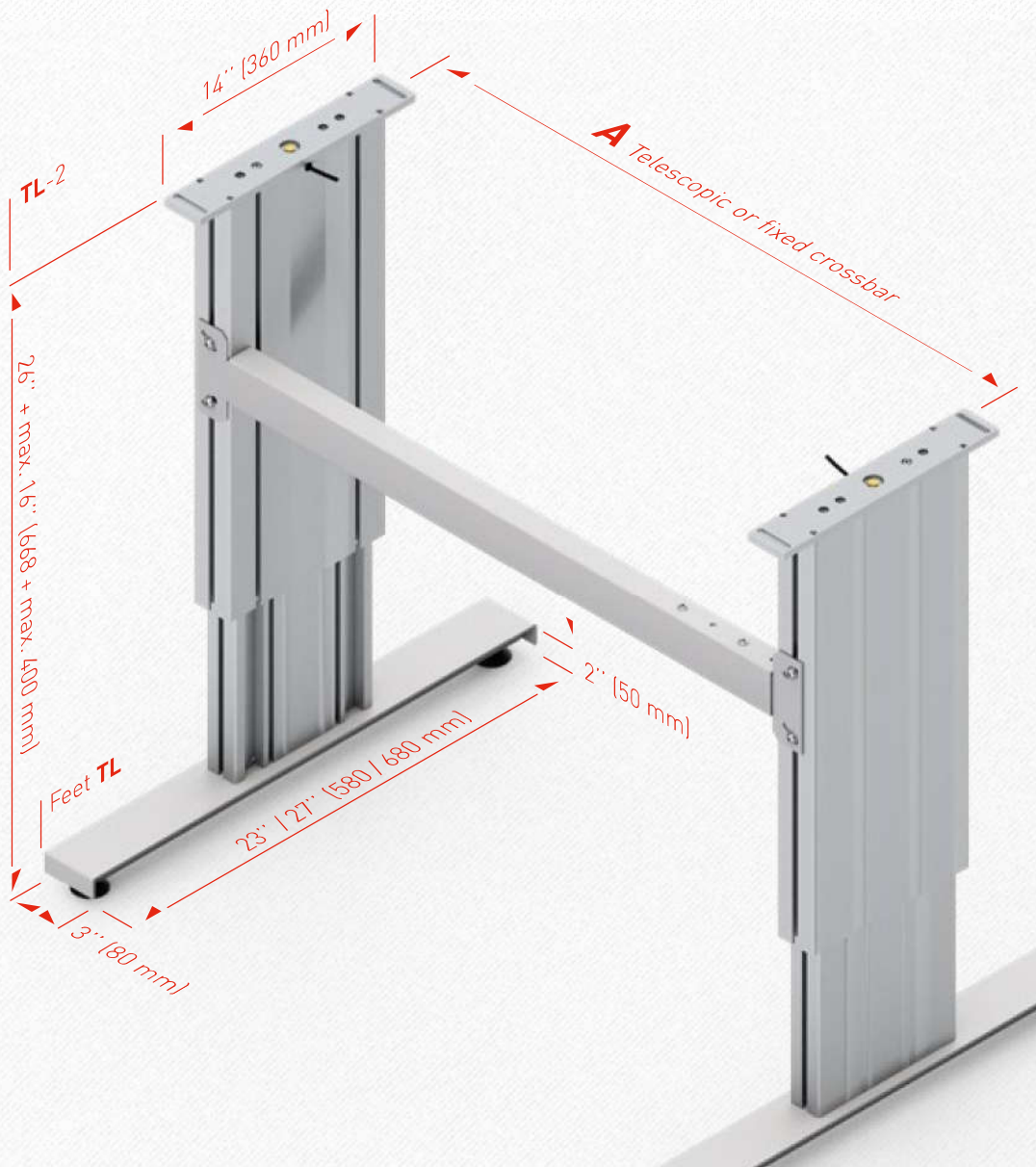
The **TL** base frame consists of 2 table legs, a crossbar and 2 table feet. The crossbars slide easily into the grooves of the lifting columns and are fastened in place with an Allen key.

Various screws to mount the table top are included with your order. The base frame is delivered unassembled.

Assembly and operating instructions are included with every delivery. They can also be downloaded from [www.ergoswiss.us](http://www.ergoswiss.us).



# Dimensions of base frame TL



## Base frame TL-2

	<b>A</b>
<b>TL-2</b>	37" – 63" (940 – 1590 mm)

The telescopic crossbar is adjustable in 2" (50 mm) increments.

The telescopic crossbar can be fitted directly on the outer slot using the slot nuts supplied.

Smaller dimensions are available on request.

Detailed CAD drawings in various formats can be found at [www.ergoswiss.us](http://www.ergoswiss.us)