



Universal and compact

The linear unit consists of a cylinder and a linear guide rail and is a compact and robust lifting element. It can be installed directly onto or into existing objects. This means that a table or other devices can easily be equipped or retrofitted with a lifting system.

Four M5 screw threads are provided to mount the linear units **LA** and **LD**. Four M6 screw for **LG**.

The housing of the linear unit is a plain anodized aluminum profile. The stand pipe is made of stainless steel and positioned in a plastic bushing.

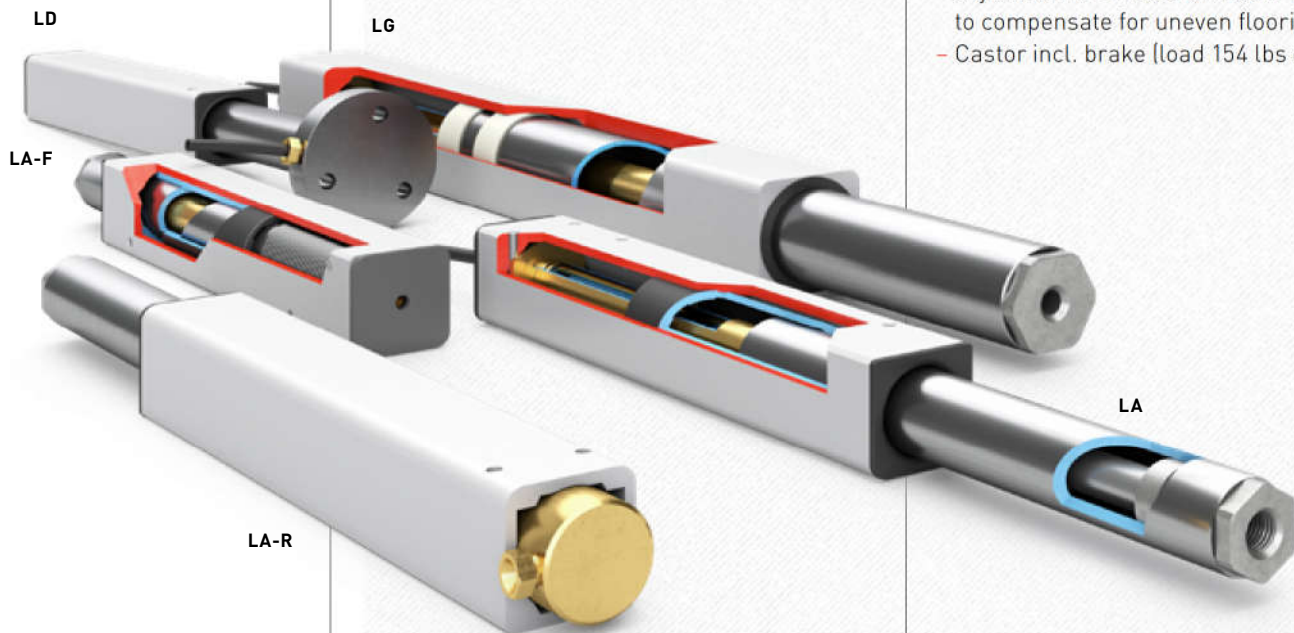
The linear unit is available in different versions:

- LA-R: radial tube outlet
- LA-F: with built-in restoring spring
- LA-RF: stainless steel version
- LA-ESD: ESD-compatible
- LA-V: with built-in hose rupture protection

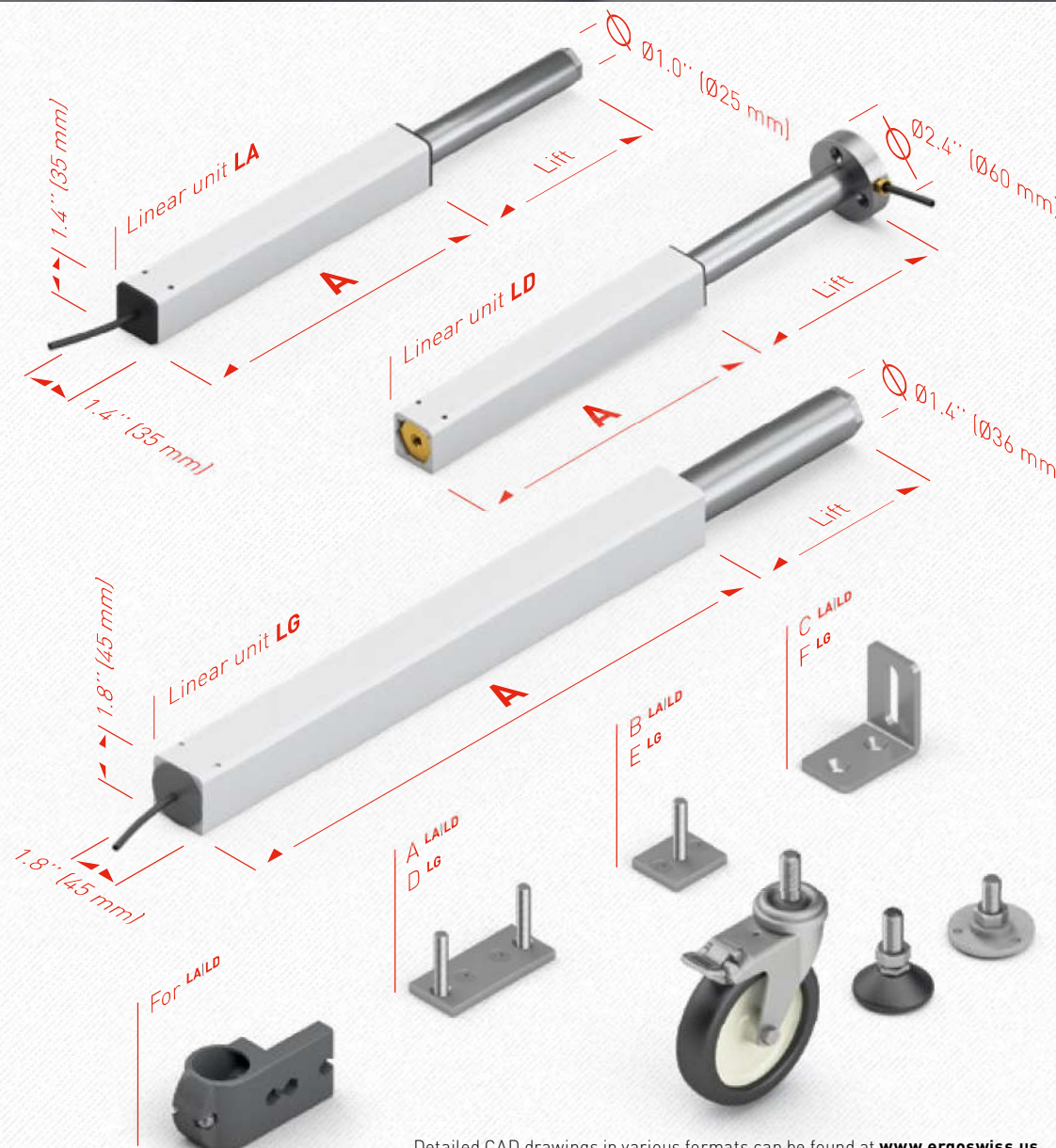
The height is adjusted by means of a hydraulic pump operated by a hand crank or an electric drive unit.

The following accessories are available:

- mounting plates allowing other assembly options for the linear units
- adjustable feet made of rubber or aluminum to compensate for uneven flooring
- Castor incl. brake (load 154 lbs or 70 kg)



Dimensions of LA|LD|LG



Technical data

- Versatile linear guide rail with slide bearings
- The system load depends on the pump
- Load per lifting element
330 lbs (150 kg) (**LX 14**)
550 lbs (250 kg) (**LX 18**)
- Lifting distance max. 28" (700 mm)
- Max. static bending moment $M_b = 111 \text{ lbf ft}$ (150 Nm)
- Max. dynamic bending moment $M_{bdyn} = 37 \text{ lbf ft}$ (50 Nm)
- Food-grade fluids can also be used
- No additional guide rail is required
- The linear units should not be exposed to tensile forces
- The linear unit is supplied with a 9ft 10" (3 m) hydraulic hose pre-fitted as standard
- Plain anodized aluminum

Type LA|LD|LG

	Lift	A
LAILD 1415	6" (150 mm)	10" (252 mm)
LAILD 1420	8" (200 mm)	13" (317 mm)
LAILDILG 1430	12" (300 mm)	18" (463 mm)
LAILDILG 1440	16" (400 mm)	22" (563 mm)
LAILD 1450	20" (500 mm)	26" (667 mm)
LAILD 1460	24" (600 mm)	30" (767 mm)
LAILD 1470	28" (700 mm)	34" (867 mm)

Detailed CAD drawings in various formats can be found at www.ergoswiss.us