



Elegant and versatile

The table leg **TQ** is ideal for assembly work stations made from aluminum profiles and as a base for multi-leg conveyor lines.

The T-slots (width 0.3" or 8 mm) allow the addition of crossbars, shelves and other attachments and mountings along the entire length of the leg.

The height is adjusted by means of a hydraulic pump operated by a hand crank or an electric drive unit.

The 13ft 1" [4 m] long hydraulic hose is already mounted on the table leg and vented to ensure easy assembly.

The following accessories are available:

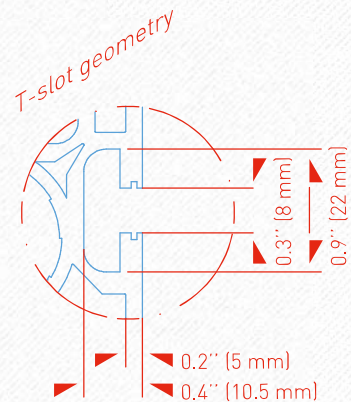
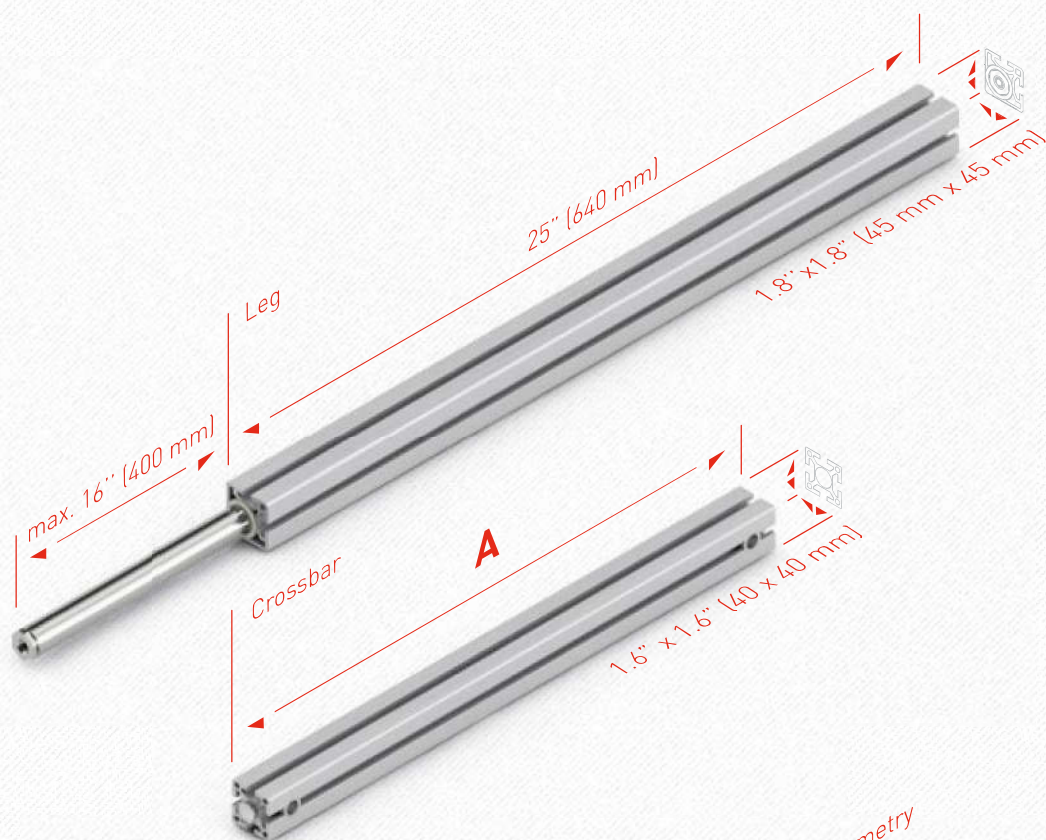
- crossbars of various lengths
- adjustable feet made of rubber or aluminum
- locking castors (load 154 lbs or 70 kg)



The table leg **TQ** consists of an extruded aluminum profile.

The guide tube is made of stainless steel and positioned in sliding bushings. The lifting movement is effected by hydraulic cylinders. The crossbars are supplied with pre-fitted universal connectors. These can be pushed into the table legs and fastened in place with a conical screw connection.

Dimensions of TQ



Technical data

- Table leg for flexible use with sliding guide
- Max. load per leg:
330 lbs (150 kg) (TT 14)
550 lbs (250 kg) (TT 18)
- The system load depends on the pump used
- Lifting distance max. 16" (400 mm)
- **TQ 1830 V** with built-in hose rupture protection
- Max. static bending moment $M_b = 148 \text{ lbf ft}$ (200 Nm)
- Max. dynamic bending moment $M_{bdyn} = 59 \text{ lbf ft}$ (80 Nm)
- Colour:
plain anodized aluminum

Crossbar TQ	A
TQ 550	22" (550 mm)
TQ 750	30" (750 mm)
TQ 950	37" (950 mm)
TQ 1150	45" (1150 mm)
TQ 1550	61" (1550 mm)



Our base frame **TQ** is designed for the fast and flexible assembly of tables.

The maximum load is 771 lbs to 1322 lbs (350 kg to 600 kg) depending on the pump version. The max. height adjustment range is 16" (400 mm).

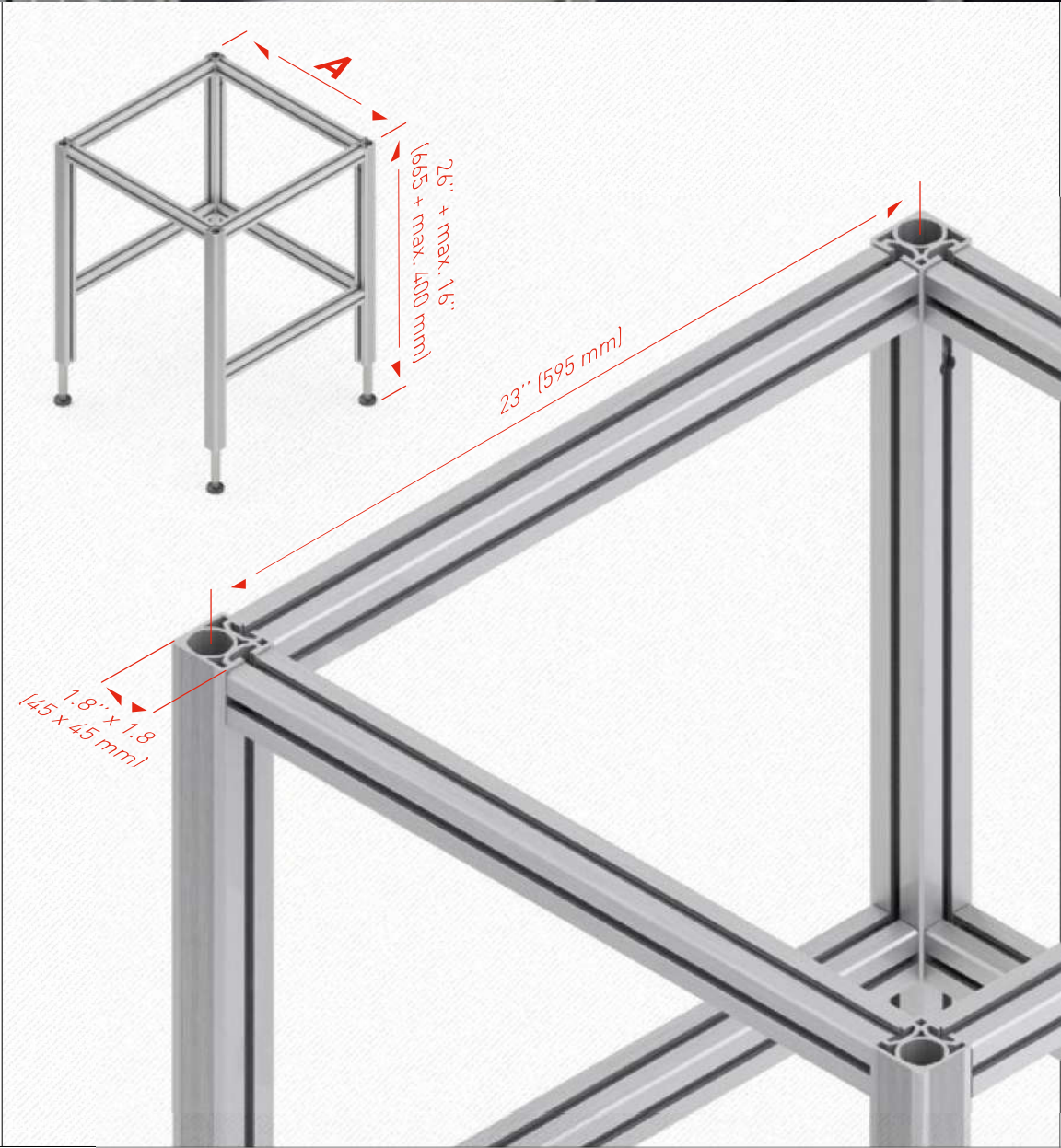
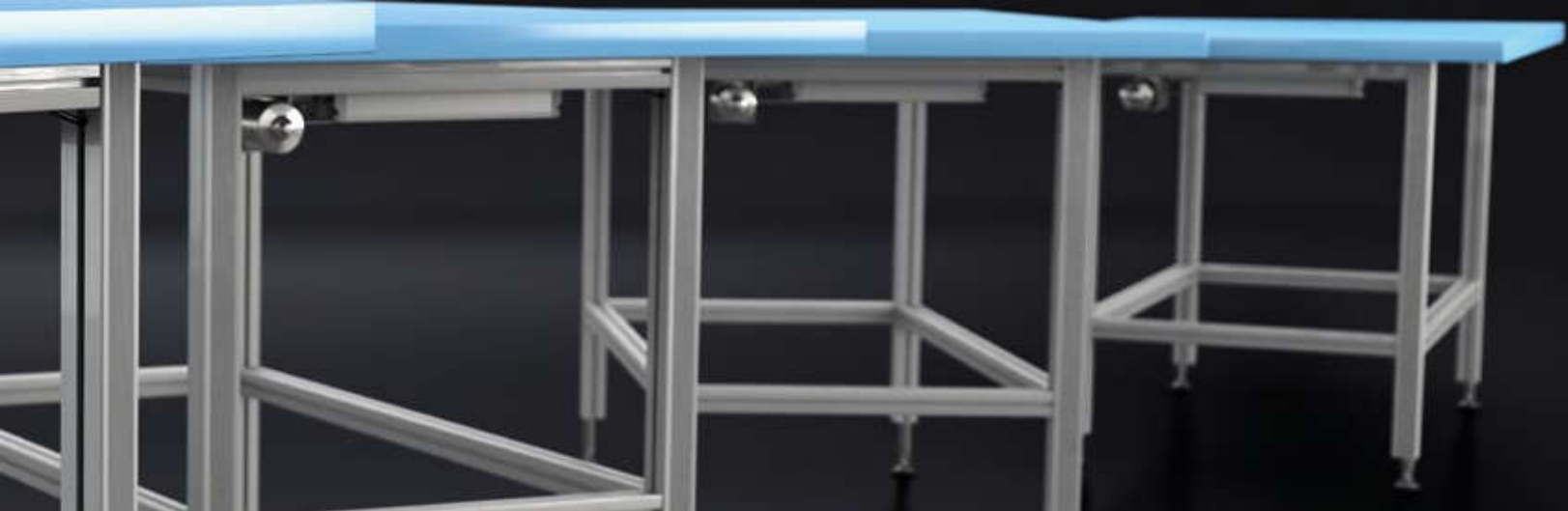
The **TQ-4** base frame consists of 4 legs and 7 crossbars. The crossbars slide easily into the grooves of the table legs and are fastened in place with an Allen key. Various brackets and screws to mount the table top are included with your order. The base frame is delivered unassembled.

Please note that a pump with hand crank or electric drive unit is also required.

Assembly and operating instructions are included with every delivery. They can also be downloaded from **www.ergoswiss.us**.



Dimensions of base frame **TQ**



Base frame **TQ-4**

	A
TQ-4 595	23" (595 mm)
TQ-4 995	39" (995 mm)
TQ-4 1195	47" (1195 mm)
TQ-4 1595	63" (1595 mm)

Detailed CAD drawings in various formats can be found at www.ergoswiss.us.