



Elegant and powerful

The lifting column **SL** consists of colorless anodized aluminum profiles, guided by plastic gliders. Each lifting column has an **internal** motor that drives a threaded spindle. The cable length is 6ft (1.8 m).

The T-slots on 3 sides (width 0.3" or 8 mm) of the lifting column allow the addition of crossbars, shelves, attachments and mountings.

Up to 3 lifting columns can be connected to one control unit. When a maximum of 4 control units are syn-chronized, up to 12 lifting columns can be operated synchronously.

The choice of system load defines the type of control unit (see system combination).

Application

The **SL** is available as a lifting system (lifting column and control unit) or as a complete base frame.

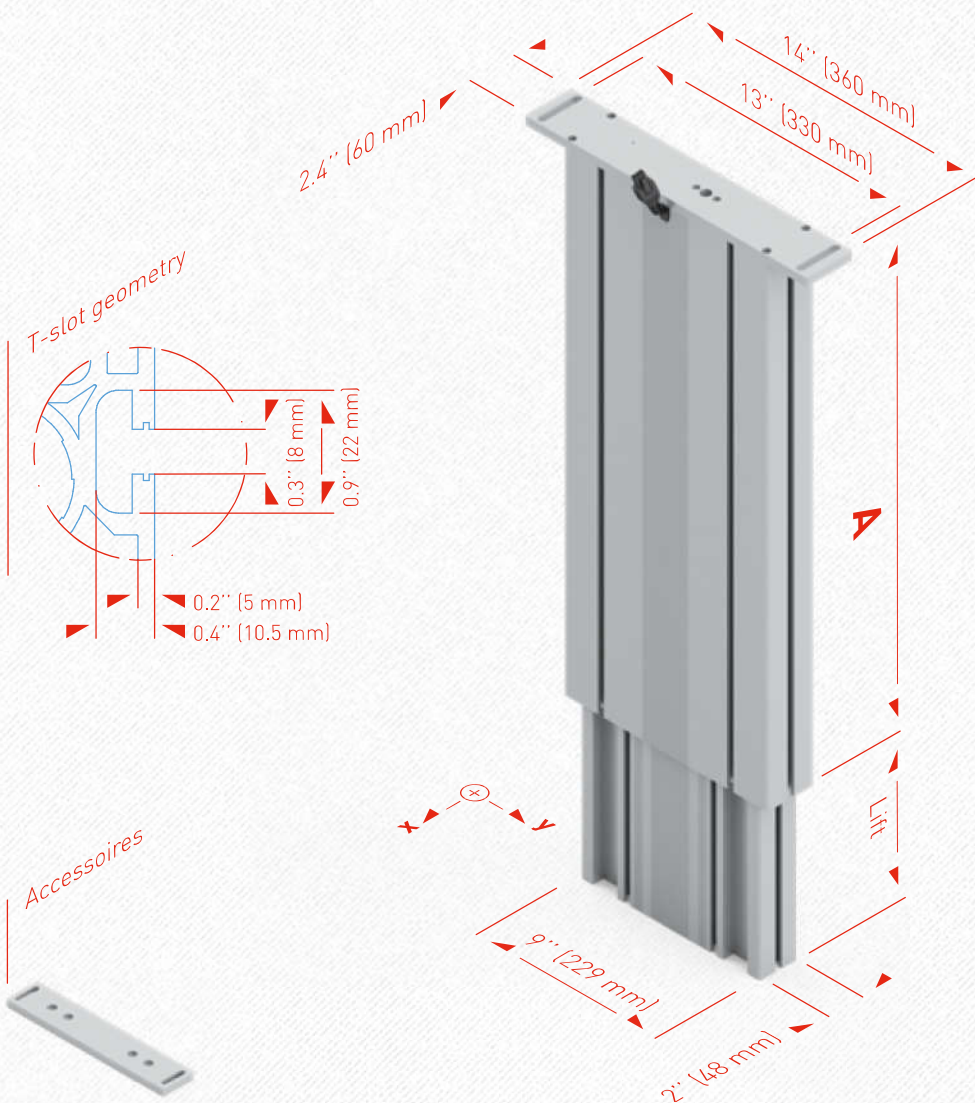
The system **SL** can be used for assembly tables, in assembly units, for office desks, height-adjustable beds and bathtubs and for general use in furniture construction and mechanical engineering.

The following accessories are available:

- crossbars in various lengths
- telescopic crossbar
- table feet with adjustable rubber feet
- base plates
- option: ESD (electrostatic discharge) version

The crossbars are supplied with pre-fitted universal connectors. These can be pushed into the lifting column and clamped with a conical screw connection.

Dimensions **SL**



Technical data

- Versatile lifting column with **internal** drive unit
 - System loads:
 - 1 **SL**: 441 lbs (200 kg)
 - 2 **SL**: 882 lbs (400 kg)
 - 3 **SL**: 882 lbs (400 kg)
 - 4 **SL**: 2205 lbs (1000 kg)
 - Synchronous control of 1 to 12 (8) lifting columns
 - Lifting speed 0.5"/s (12 mm/s) 0.35"/s (9 mm/s)
 - Stroke length 12" (300mm) or 16" (400 mm)
 - Mb_x stat. = 295 lbf ft (400 Nm)*
Mb_y stat. = 885 lbf ft (1200 Nm)*
 - Mb_x dyn. = 148 lbf ft (200 Nm)**
Mb_y dyn. = 406 lbf ft (550 Nm)**
 - Color: colorless anodized aluminum
- * Mb stat. = max. permissible bending moment at a standstill
** Mb dyn. = max. permissible bending moment during lifting movement

Lifting column **SL**

	A	Lift
SL 1430 (1330)	21" (530 mm)	12" (300 mm)
SL 1440 (1340)	25" (630 mm)	16" (400 mm)

Detailed CAD drawings in various formats can be found at www.ergoswiss.us



Flexible assembly

The base frame **SL** has been designed for fast and flexible assembly of tables.

The maximum system load is 882 lbs (400 kg). The adjustment range is 16" (400 mm) and the lifting speed 0.5"/s (12 mm/s).

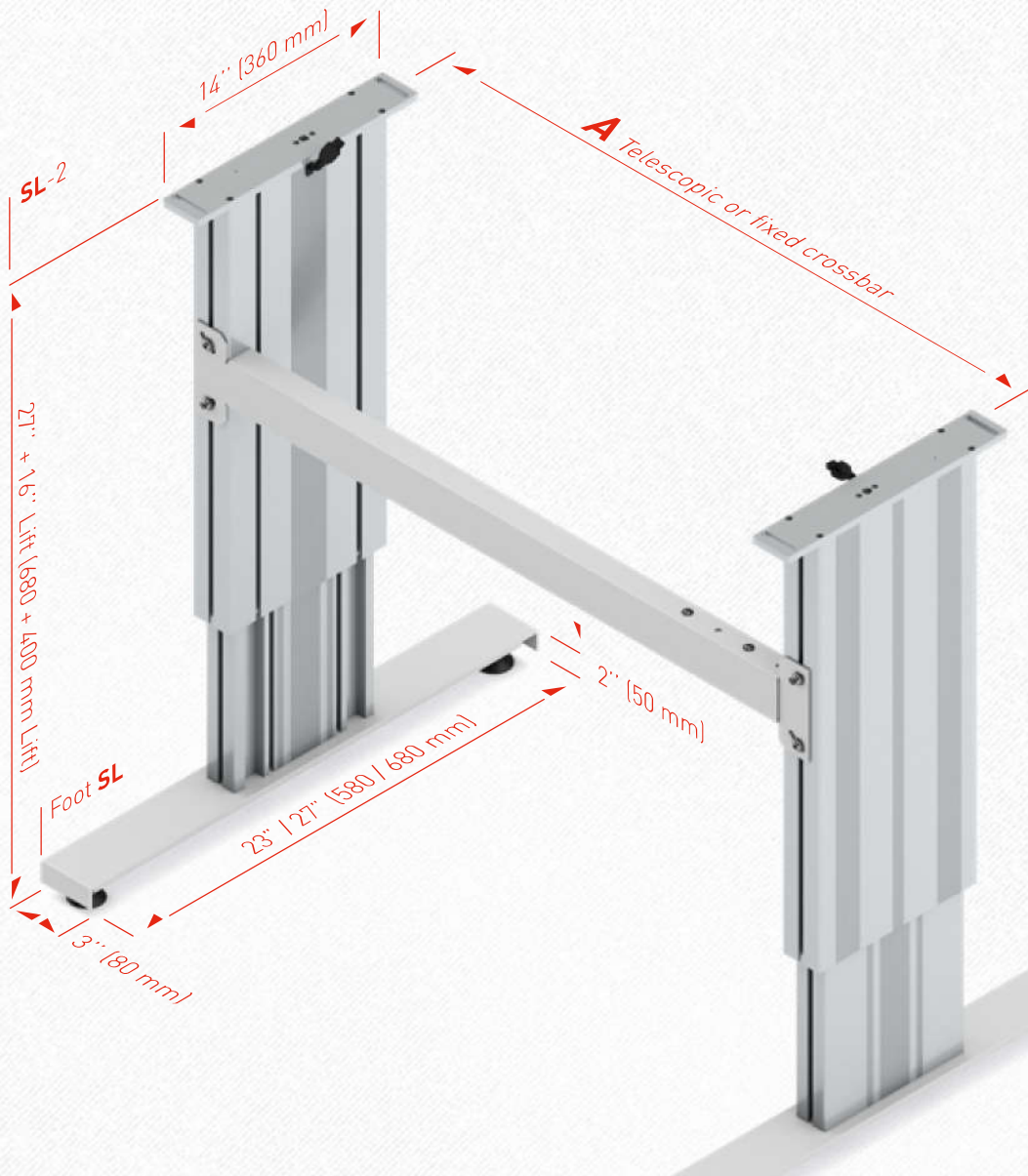
The base frame **SL** consists of 2 lifting columns, a crossbar and 2 table feet. The crossbars slide easily into the grooves of the lifting column and are clamped with an Allen key.

Both lifting columns are connected to the synchronous control system by means of a plug-in connector and are immediately ready for operative use.

Various screws to mount the table top are included in delivery. The base frame is delivered unassembled.

Assembly and operating instructions are included with every delivery. They can also be downloaded from **www.ergoswiss.us**.

Dimensions of base frame **SL**



Base frame **SL-2**

	A
SL-2	37.8" – 63.4" (960 - 1610 mm)

Detailed CAD drawings in various formats can be found at www.ergoswiss.us

- As option available:
- System load 1323 lbs (600 kg) and lifting speed 0.35"/s (9 mm/s)
 - Installation 23" (580 mm) and stroke length 12" (300 mm)