



Slim and robust

The lifting column **SM** consists of two colorless anodized aluminum profiles, guided by plastic gliders. Each lifting column has an **internal** motor that drives a threaded spindle. The cable length is 6ft (1.8 m).

The T-slots on 3 sides (width 0.3" or 8 mm) of the lifting column allow the addition of crossbars, shelves, attachments and mountings. Up to 3 lifting columns can be connected to one control unit. When a maximum of 4 control units are syn-chronized, up to 12 lifting columns can be operated synchronously.

The choice of system load defines the type of control unit (see system combination).

Application

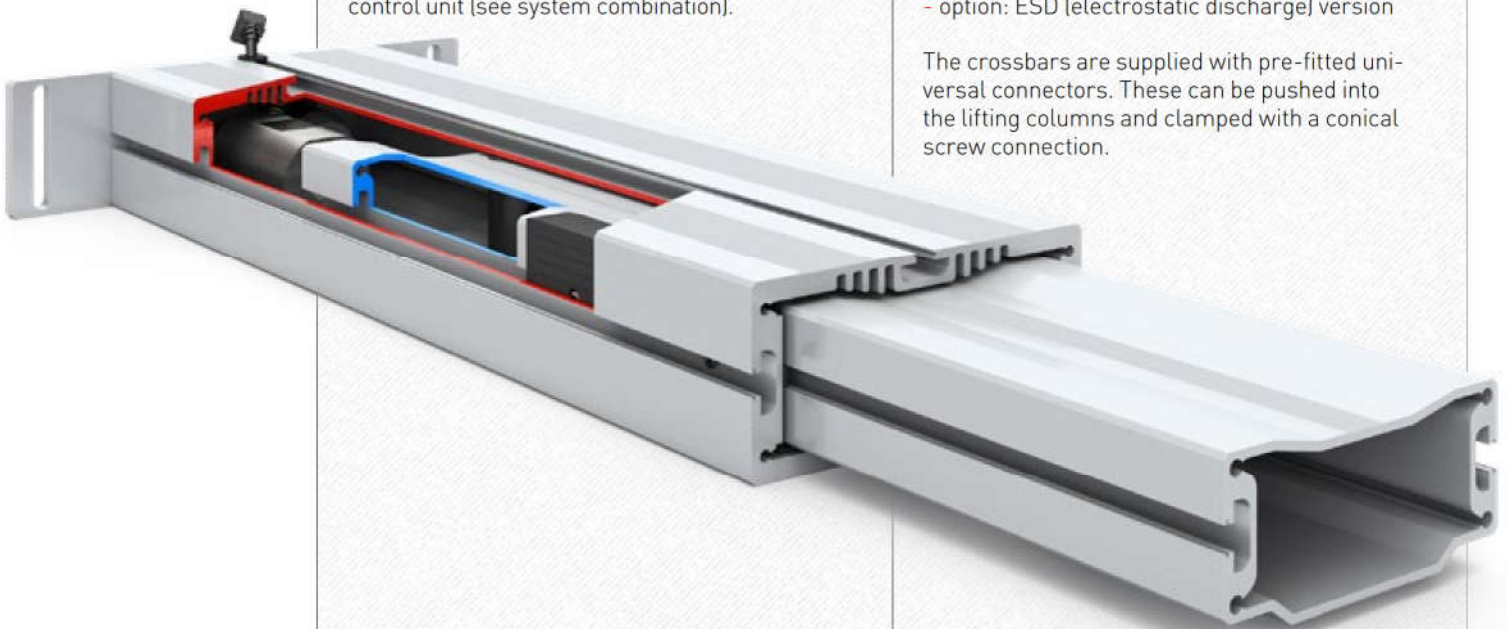
The **SM** is available as a lifting system (lifting column and control unit) or as a complete base frame.

The system **SM** can be used for assembly tables, in assembly units, for office desks, height-adjustable beds and bathtubs and for general use in furniture construction and mechanical engineering.

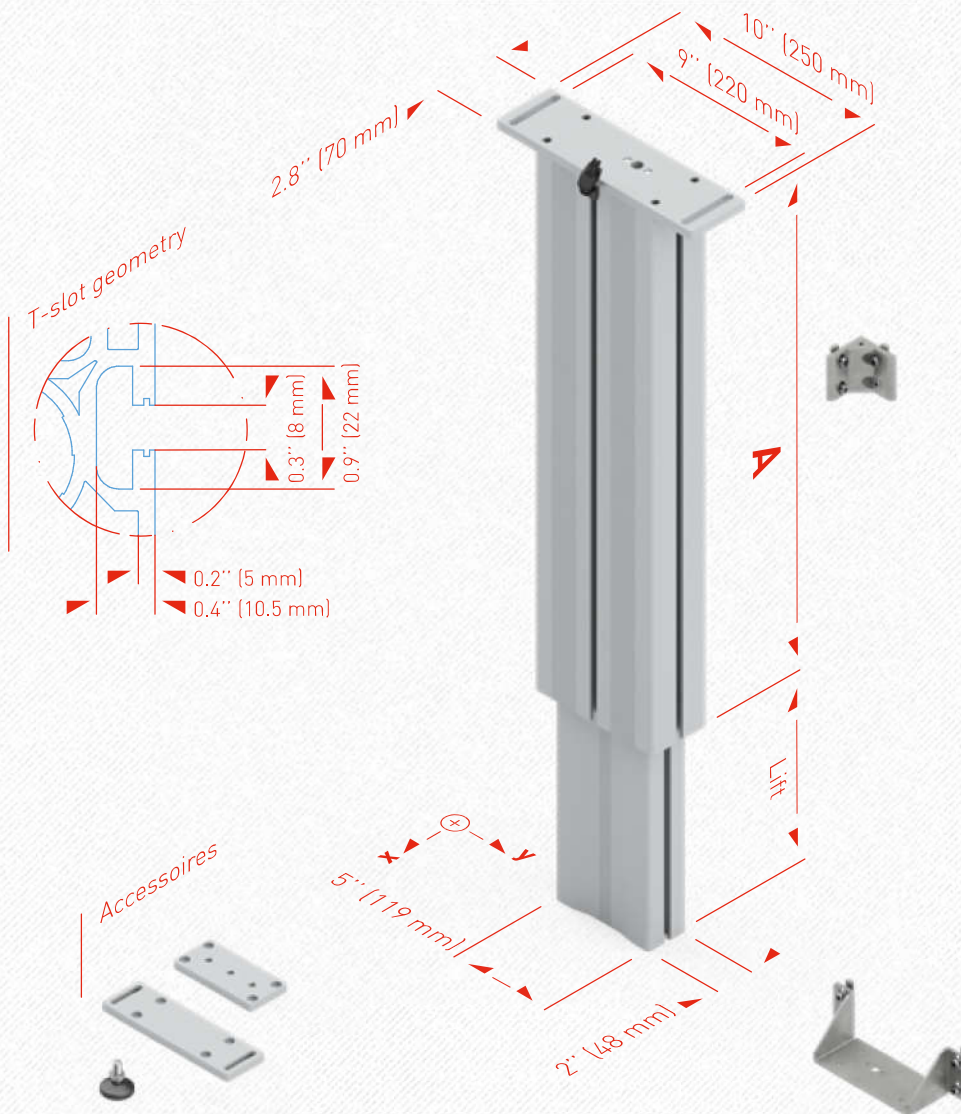
The following accessories are available:

- crossbars in various lengths
- telescopic crossbar
- table feet with adjustable rubber feet
- base plates
- option: ESD (electrostatic discharge) version

The crossbars are supplied with pre-fitted universal connectors. These can be pushed into the lifting columns and clamped with a conical screw connection.



Dimensions **SM**



Technical data

- Versatile lifting column with **internal** drive unit
- System loads:
 - 1 **SM**: 441 lbs (200 kg)
 - 2 **SM**: 882 lbs (400 kg)
 - 3 **SM**: 882 lbs (400 kg)
 - 4 **SM**: 2205 lbs (1000 kg)
- Synchronous control of 1 to 12 (8) lifting columns
- Lifting speed 0.5"/s (12 mm/s)
0.35"/s (9 mm/s)
- Stroke length 12" (300mm) or 16" (400 mm)
- Mb_x stat. = 258 lbf ft (350 Nm)*
Mb_y stat. = 664 lbf ft (900 Nm)*
- Mb_x dyn. = 111 lbf ft (150 Nm)**
Mb_y dyn. = 332 lbf ft (450 Nm)**

Color: colorless anodized aluminum

- * Mb stat. = max. permissible bending moment at a standstill
- ** Mb dyn. = max. permissible bending moment during lifting movement

Lifting column SM		
	A	Lift
SM 1430 (1330)	20.9"	11.8"
SM 1440 (1340)	24.8"	15.7"

Detailed CAD drawings in various formats can be found at www.ergoswiss.us



Combinable in a variety of ways

The base frame **SM-1** consists of a lifting column mounted on a table foot with adjustable feet. The lifting column **SM** is equipped with a table plate support which is used to attach a table top.

- including 1 control box and 1 manual control switch
- ideal as a lectern
- System load 441 lbs (200 kg) at 0.5"/s (12 mm/s)



The base frame **SM-2** consists of two lifting columns each of which is mounted on a table foot with adjustable feet. The columns are connected by a crossbar. Each lifting column **SM** is equipped with a table plate support which is used to attach the table top.

- including 1 control box and 1 manual control switch
- ideal as an office desk or light assembly table
- System load 882 lbs (400 kg) at 0.5"/s (12 mm/s)

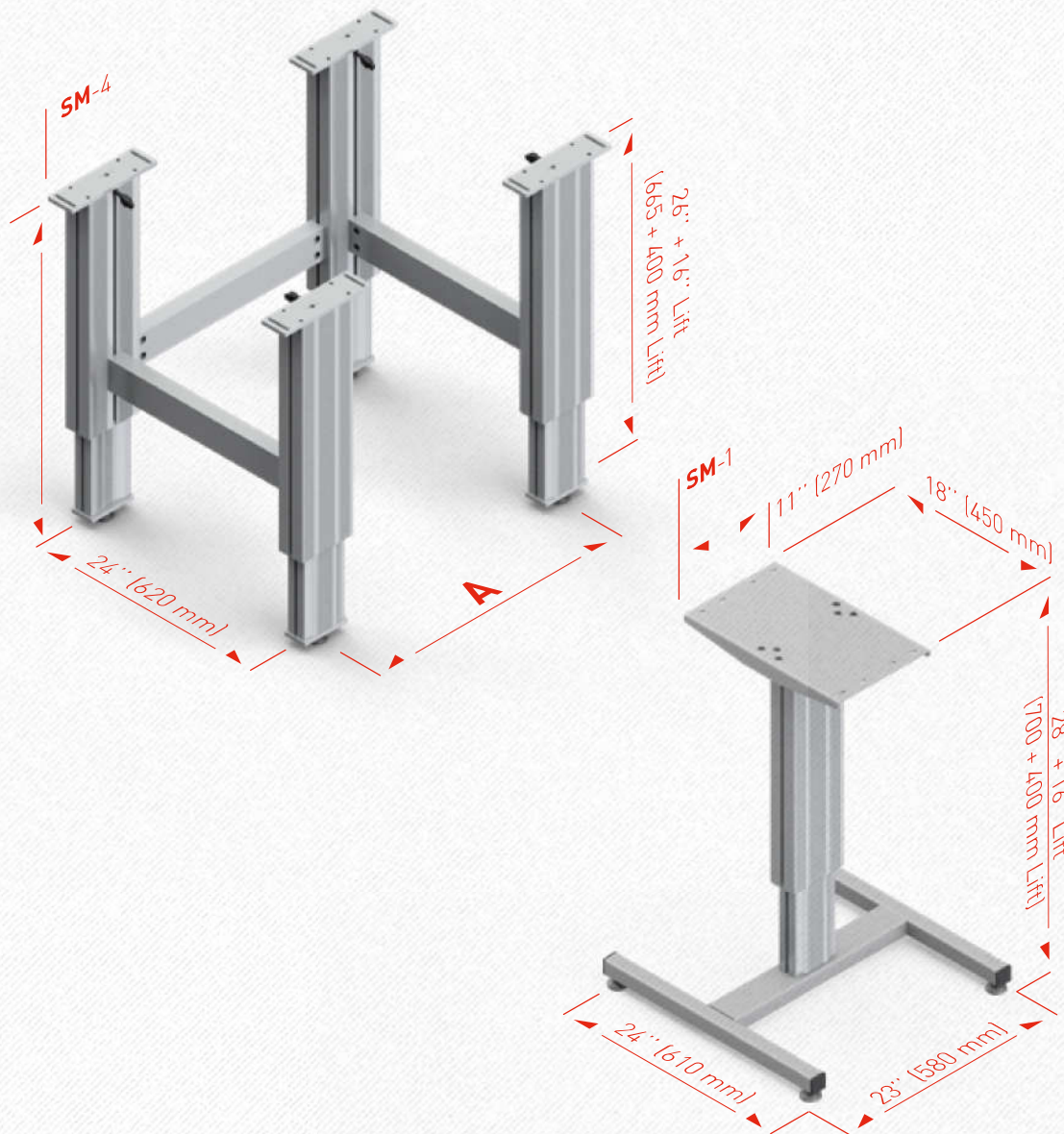
The base frame **SM-4** consists of four lifting columns arranged in a rectangle and connected by crossbars. The lifting columns are equipped with a foot plate including adjustable rubber feet. The table top is attached directly to the adapter plates of the lifting column **SM**.

- including 1 control box and 1 manual control switch
- ideal for stable workbenches
- system loads up to 2205 lbs (1'000 kg) at 0.35"/s (9 mm/s) on request



Assembly and operating instructions are included with every delivery. They can also be downloaded from www.ergoswiss.us.

Dimensions of base frame **SM**



Base frame **SM-4**

	A
SM-4	28" (700 mm)
SM-4	39" (1000 mm)
SM-4	51" (1300 mm)
SM-4	67" (1700 mm)

Detailed CAD drawings in various formats can be found at www.ergoswiss.us

- As option available:
- System load 1323 lbs (600 kg) and lifting speed 0.35"/s (9 mm/s)
 - Installation 22" (570 mm) and stroke length 12" (300 mm)

Detailed CAD drawings in various formats can be found at www.ergoswiss.us