



Slim and powerful

The spindle lifting column **SQ** belongs to the same product family as the table leg TQ. Its plain anodized aluminum housings comes with a simple surface design to ensure an elegant and stylish finish.

The T-slots on 2 sides (width 0.3" or 8 mm) allow the mounting of crossbars, shelves and other attachments along the entire length of the leg.

This product family also has a corresponding range of accessories to use in combination.

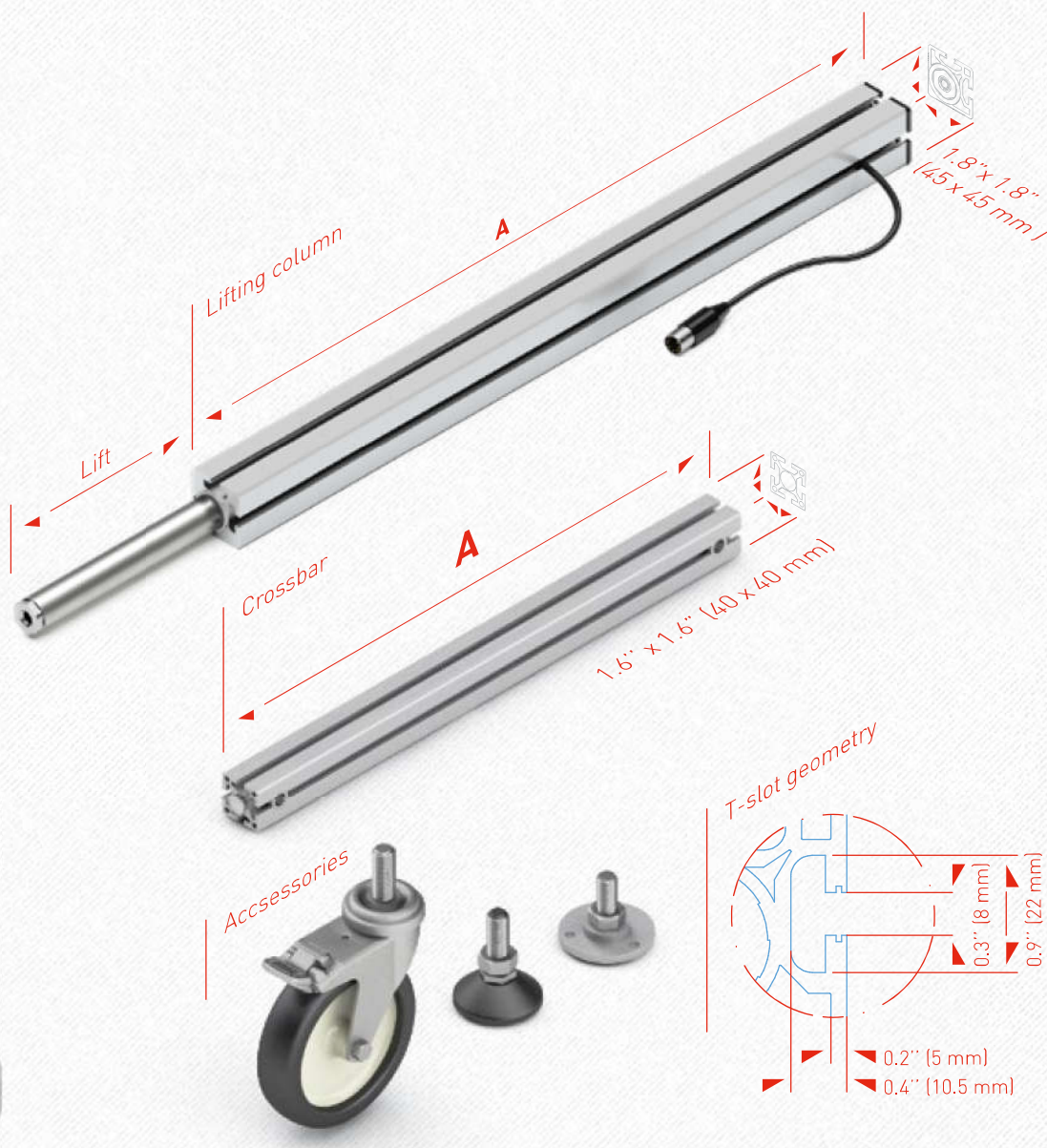
Application

The electrically driven lifting column **SQ** is suitable for height adjustable mounting tables, laboratory workstations and generally in furniture and mechanical industry. Up to 4 lifting columns can be connected to one control box and are operated synchronously. In synchronous operation with 2 control boxes, up to 8 lifting columns can be operated. Each lifting column has an internal motor that drives the threaded spindle.

As a variant to the lifting column **SQ**, the table leg TQ offers the possibility of adjusting the height by a hand crank or electrically with a wired remote control. Further information about the table leg TQ can be found in our hydraulic catalog.



Dimensions **SQ**

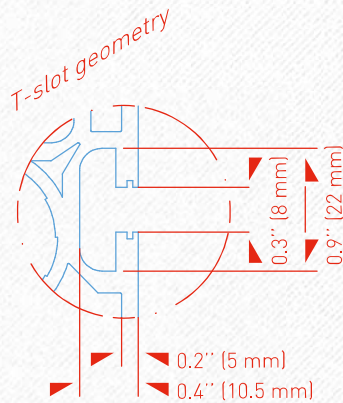


Technical data

- Versatile linear guide rail with **internal** drive unit
- Compressive force per lifting 331 lbs (1500 N)
- Tensile force per lifting element 331 lbs (1500 N)
- Synchronous control of 1 to 8 linear units
- Lifting speed 0.35"/s (9 mm/s)
- Stroke length 12" (300mm) or 16" (400 mm)
- Mb stat. = 148 lbs ft (200 Nm)
- Mb dyn. = 59 lbs ft (80 Nm)
- color: colorless anodized aluminum

Crossbar **SQ**

	A
SQ 550	22" (550 mm)
SQ 750	30" (750 mm)
SQ 950	37" (950 mm)
SQ 1150	45" (1150 mm)
SQ 1550	61" (1550 mm)



Detailed CAD drawings in various formats can be found at www.ergoswiss.us



Quickly mounted

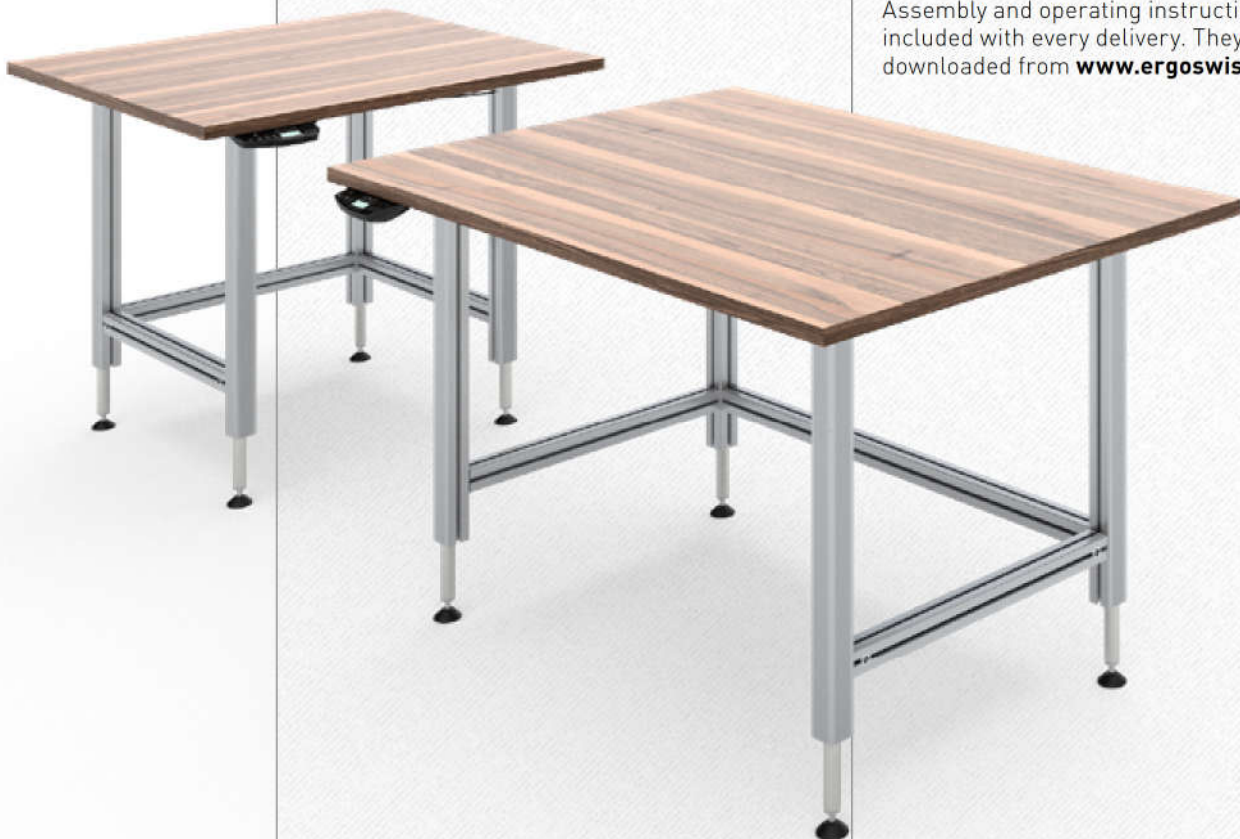
Tables can be put together quickly and flexibly with the **SQ** table base frame.

The maximum load is 1323 lbs (600 kg). The max. height adjustment range is 16" (400 mm).

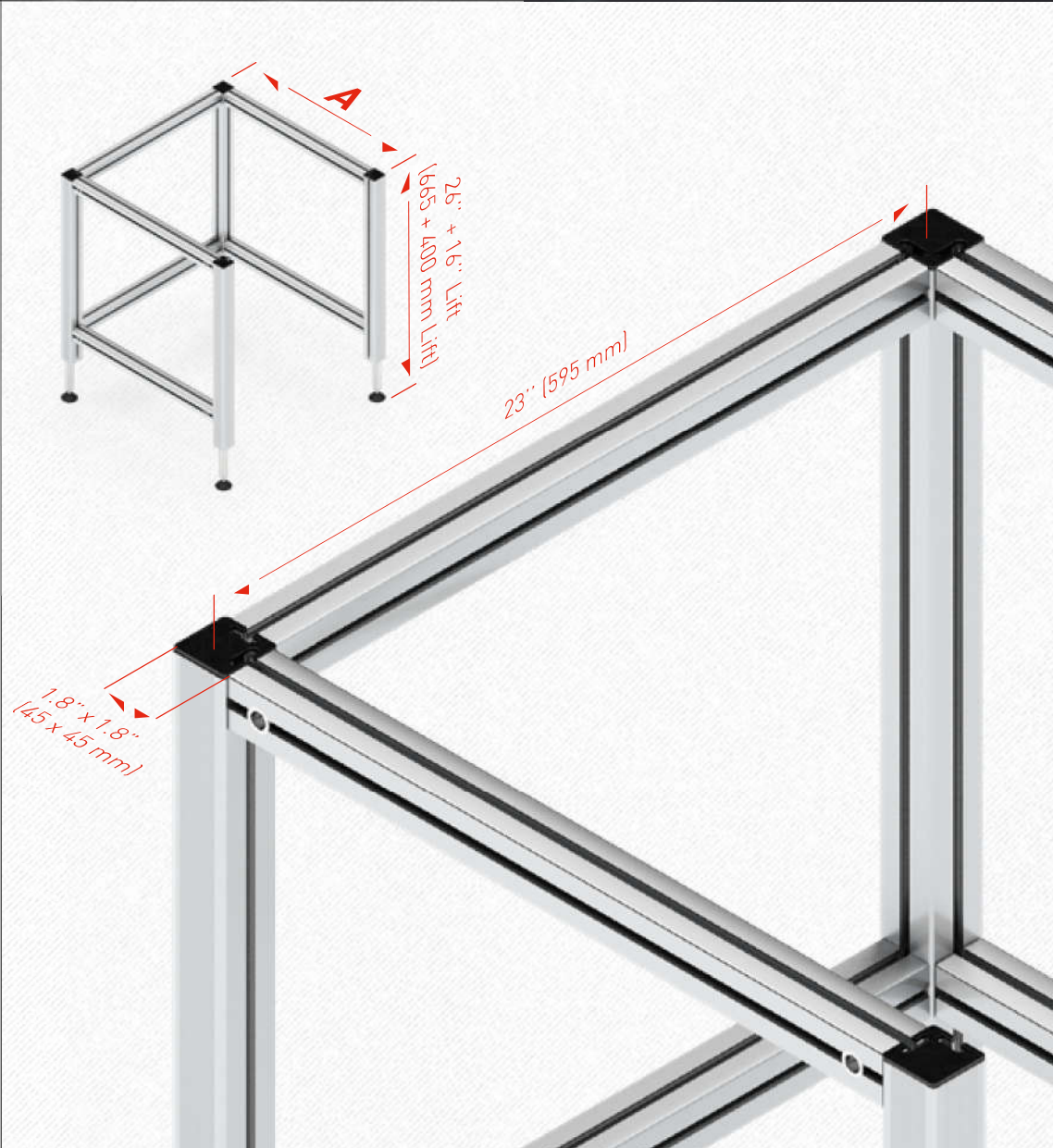
The base frame **SQ-4** consists of four lifting columns **SQ**, arranged in a rectangle and connected by crossbars. The lifting columns are equipped with adjustable rubber feet. The table top is attached directly to the crossbars of the lifting columns **SQ**.

- Ideal for light and slim workstations

Assembly and operating instructions are included with every delivery. They can also be downloaded from www.ergoswiss.us.



Dimensions of base frame **SQ**



Base frame **SQ-4**

	A
SQ-4	23" (595 mm)
SQ-4	31" (795 mm)
SQ-4	39" (995 mm)
SQ-4	47" (1195 mm)
SQ-4	63" (1595 mm)

Detailed CAD drawings in various formats can be found at www.ergoswiss.us