



Flexible assembly

The base frame **SL** has been designed for fast and flexible assembly of tables.

The maximum system load is 4000 N.
The adjustment range is 400 mm and the lifting speed 12 mm/s.

The base frame **SL** consists of 2 lifting columns, a crossbar and 2 table feet. The crossbars slide easily into the grooves of the lifting column and are clamped with an Allen key.

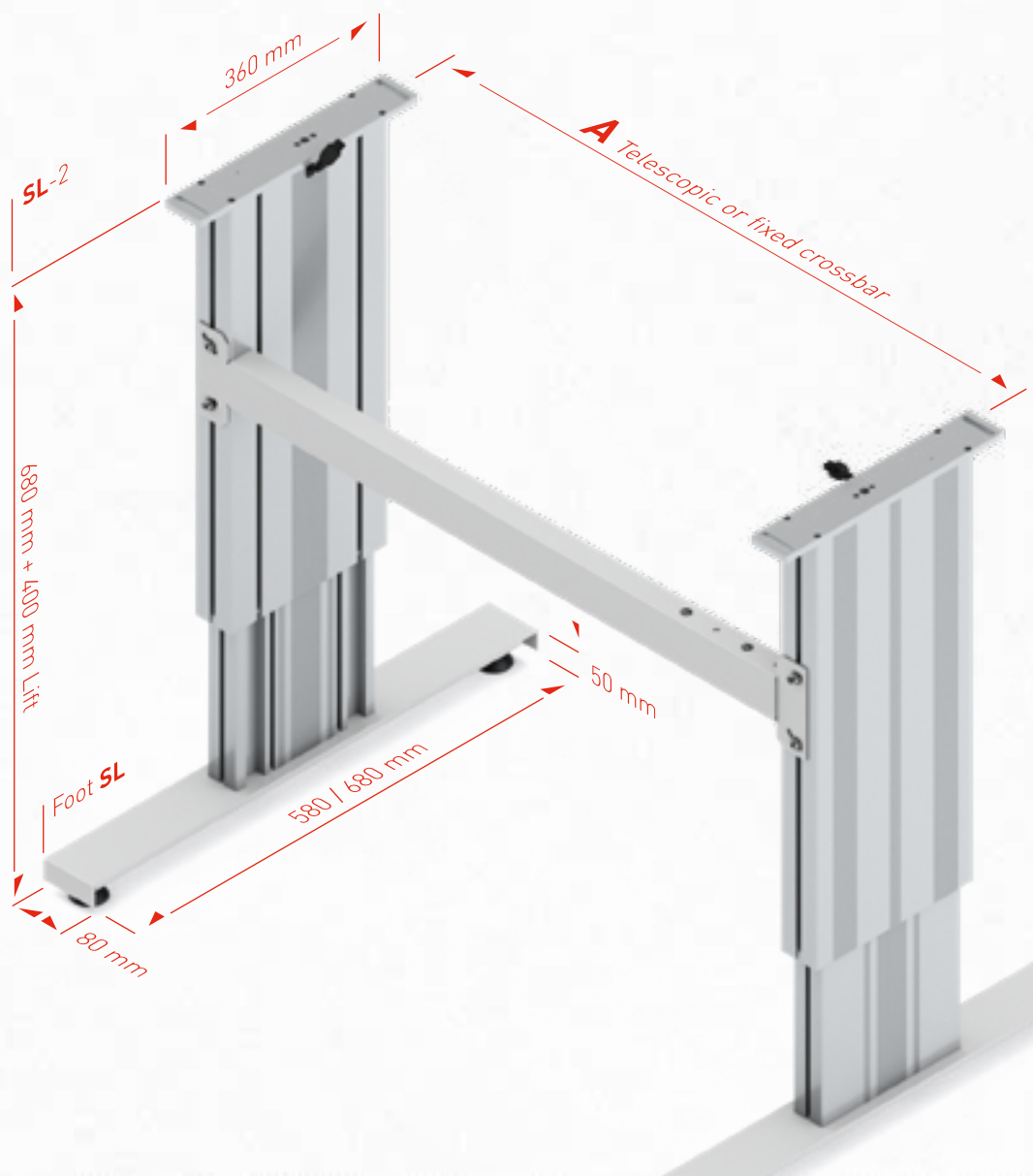
Both lifting columns are connected to the synchronous control system by means of a plug-in connector and are immediately ready for operative use.

Various screws to mount the table top are included in delivery. The base frame is delivered unassembled.

Assembly and operating instructions are included with every delivery. They can also be downloaded from www.ergoswiss.com.



Dimensions of base frame **SL**



Base frame **SL-2**

	A
SL-2	960 - 1610 mm

Detailed CAD drawings in various formats can be found at www.ergoswiss.com

- On request available:
- System load 6000 N (9 mm/s)
 - Installation 580 mm (Stroke length 300 mm)

You can also buy the **SL** base frame directly from our Online Shop!

 shop.ergoswiss.com